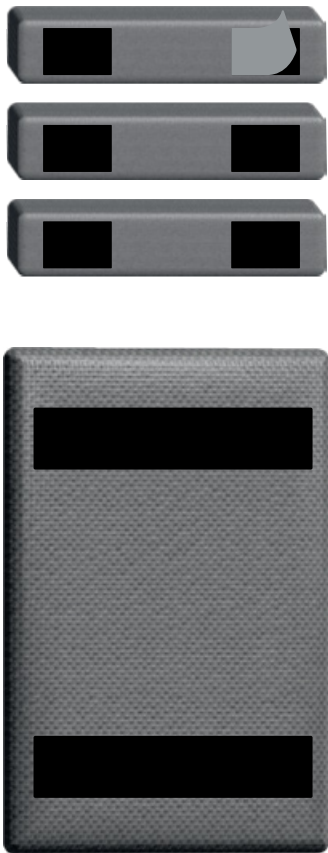


# Installing Transport Safety Pads

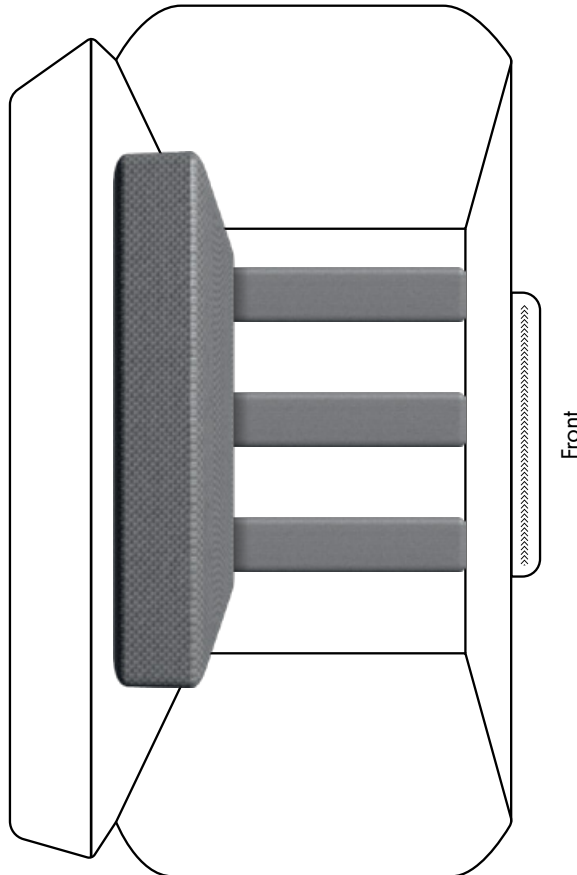
1

Peel the backing from the velcro pads [8x].



2

Affix the three small pads to the base of the tote. Affix the large pad, thick-end up, to the back of the tote.



3

Place the loudspeaker in the tote with the grille facing down. The largest pad should sit between the feet of the loudspeaker.

