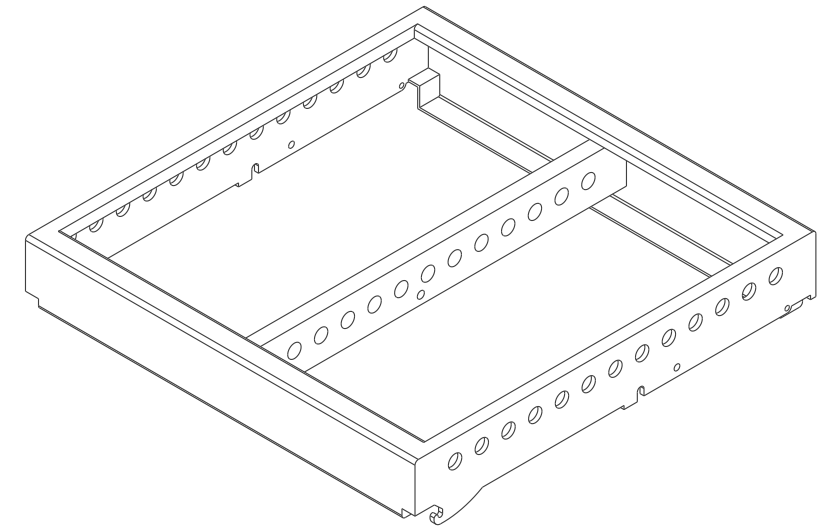
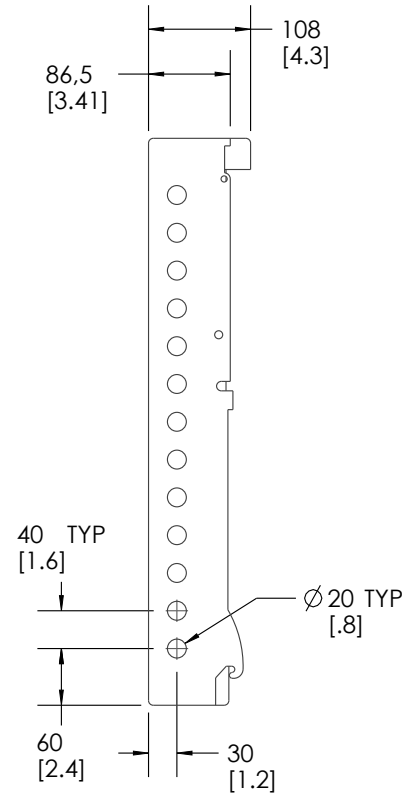
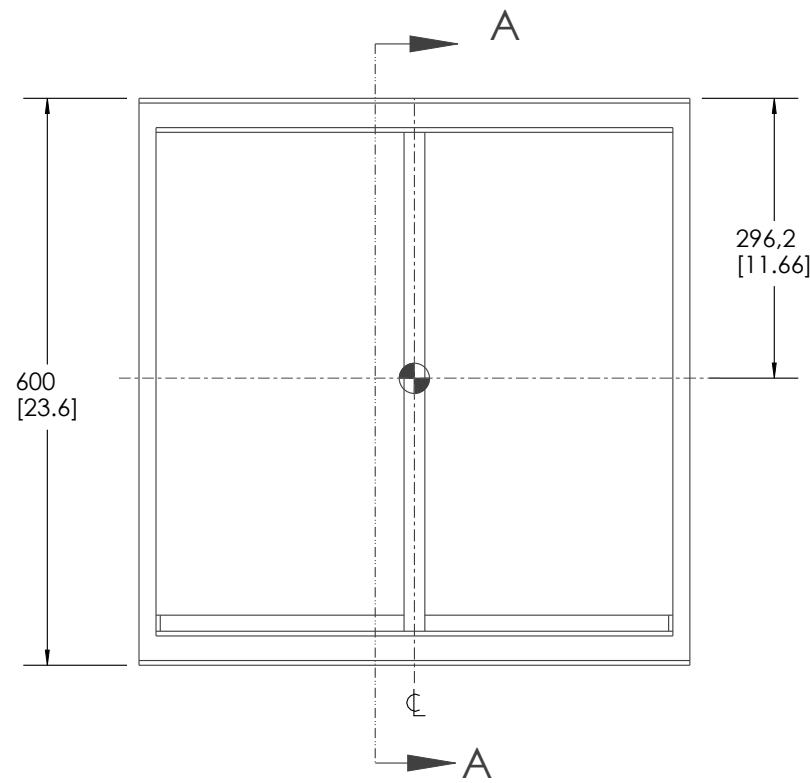
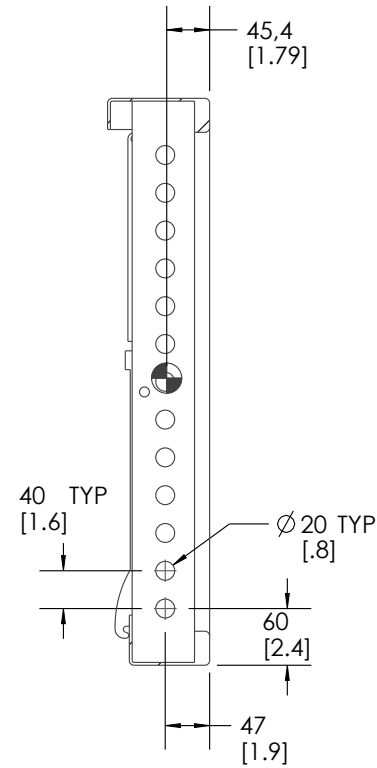


THIS DOCUMENT CONTAINS CONFIDENTIAL OR PROPRIETARY INFORMATION WHICH IS THE PROPERTY OF QSC, LLC, THAT MAY NOT BE DISCLOSED, REPRODUCED OR USED WITHOUT EXPRESS WRITTEN CONSENT FROM QSC, LLC. NO PORTION OF THIS DOCUMENT MAY BE REPRODUCED, REDISTRIBUTED, OR OTHERWISE DISCLOSED TO ANY THIRD PARTY WITHOUT QSC'S WRITTEN PERMISSION.

REVISION			
REV	DESCRIPTION	BY	DATE
A	INITIAL RELEASE	MD	30-SEP-22

NOTES: UNLESS OTHERWISE SPECIFIED

- NET WEIGHT APPROX. 11.6 KG [25.6 LBS].
- PARTS ARE SYMMETRICAL ABOUT CENTER LINES UNLESS OTHERWISE NOTED.
- SYMBOL \oplus INDICATES CENTER OF GRAVITY.



UNLESS OTHERWISE SPECIFIED DIMENSIONS ARE IN MM [IN] TOLERANCES ARE: DECIMALS .X \pm 3.0 [.12] ANGLES $\pm 1^\circ$.XX \pm	CAD GENERATED DRAWING DO NOT MANUALLY UPDATE	QSC, LLC 1675 MACARTHUR BOULEVARD COSTA MESA, CA 92626 USA
	APPROVALS	
MATERIAL SEE NOTES	DRAWN BY M. DAVILA	ACCESSORY, LA112-AF,2D
FINISH SEE NOTES	MECH ENGINEER T. AMUNDSON	
DO NOT SCALE DRAWING	TECH DIRECTOR R. VAUCHER	
PROJECTION SYMBOL \oplus	MFG ENGINEER C. YOMOGIDA	
SIZE CAGE CODE DWG. NO. REV B 00PW4 FG-901339-2D A		SCALE: 1:8 CAD FILE: FG-901339-2D.A.6 SHEET: 1 OF 1