
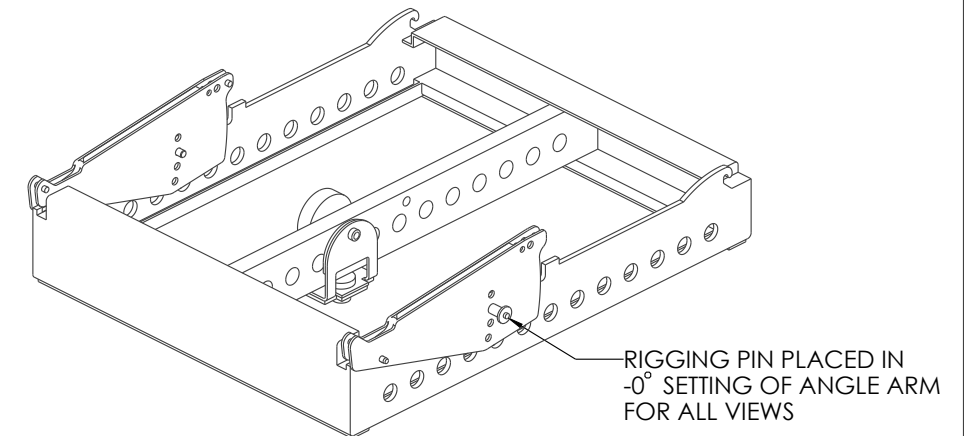
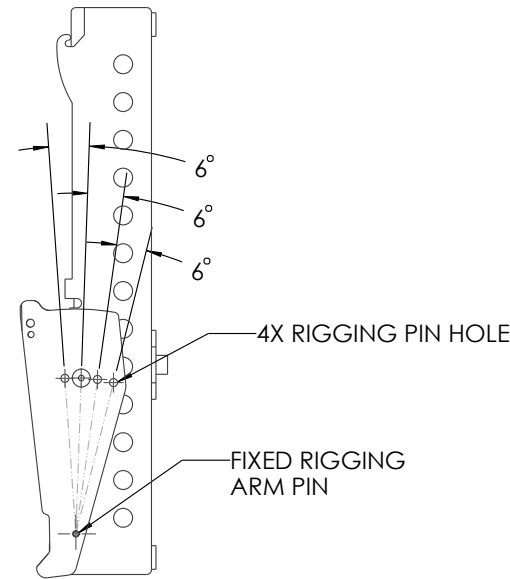
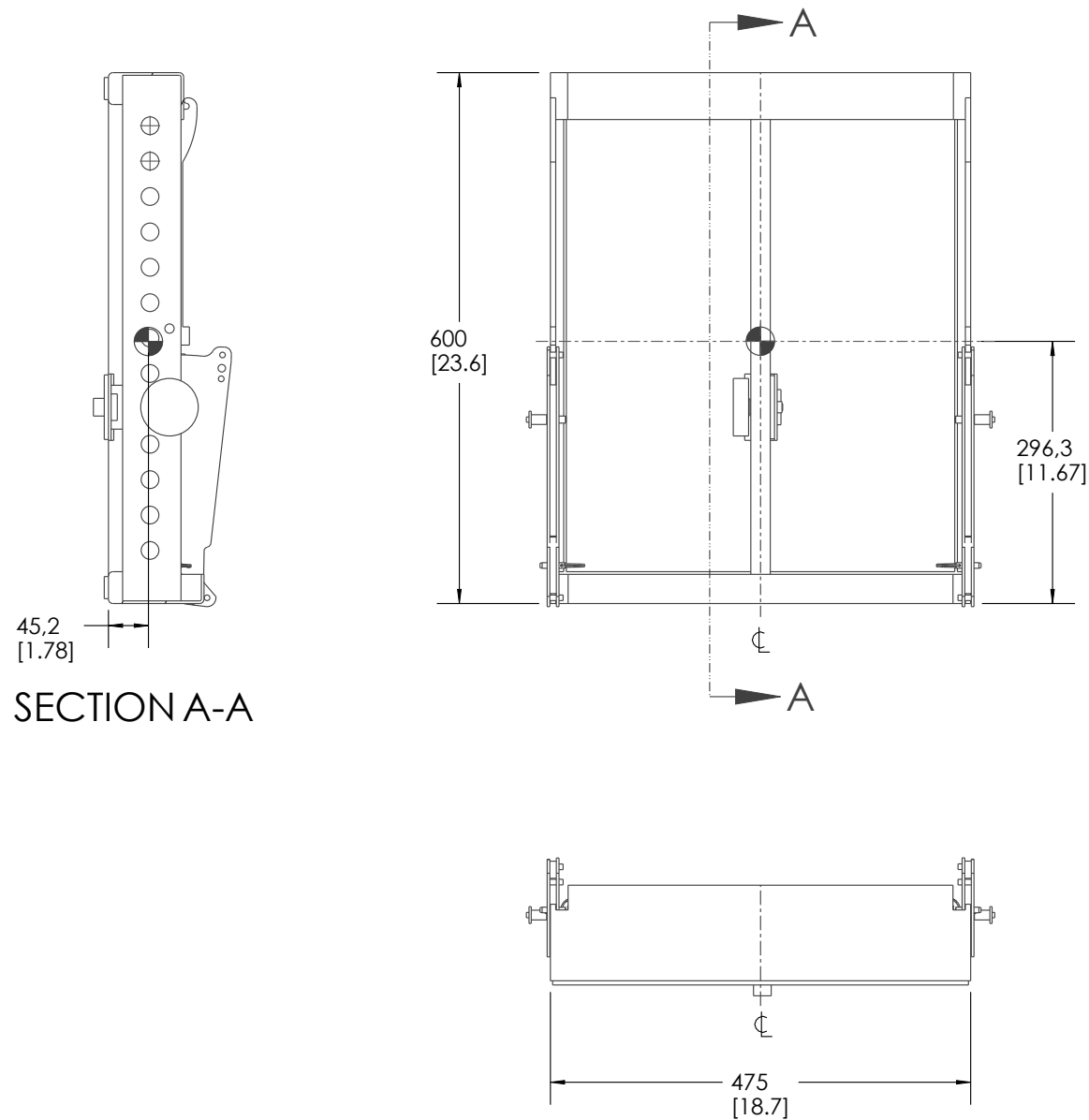




THIS DOCUMENT CONTAINS CONFIDENTIAL OR PROPRIETARY INFORMATION WHICH IS THE PROPERTY OF QSC, LLC, THAT MAY NOT BE DISCLOSED, REPRODUCED OR USED WITHOUT EXPRESS WRITTEN CONSENT FROM QSC, LLC. NO PORTION OF THIS DOCUMENT MAY BE REPRODUCED, REDISTRIBUTED, OR OTHERWISE DISCLOSED TO ANY THIRD PARTY WITHOUT QSC'S WRITTEN PERMISSION.

REVISION			
REV	DESCRIPTION	BY	DATE
A	INITIAL RELEASE	MD	3-OCT-22

NOTES: UNLESS OTHERWISE SPECIFIED

- NET WEIGHT APPROX. 12.3 KG [27.2 LBS].
- PARTS ARE SYMMETRICAL ABOUT CENTER LINES UNLESS OTHERWISE NOTED.
- SYMBOL  INDICATES CENTER OF GRAVITY.



UNLESS OTHERWISE SPECIFIED DIMENSIONS ARE IN MM [IN] TOLERANCES ARE: DECIMALS .X ± 3.0 [.12] ANGLES ± 1° MATERIAL SEE NOTES FINISH SEE NOTES DO NOT SCALE DRAWING PROJECTION SYMBOL 	CAD GENERATED DRAWING DO NOT MANUALLY UPDATE	 QSC, LLC 1675 MACARTHUR BOULEVARD COSTA MESA, CA 92626 USA
	APPROVALS	
	DRAWN BY M. DAVILA	ACCESSORY, LA108-KIT-SA,2D
	MECH ENGINEER T. AMUNDSON	
	TECH DIRECTOR R. VAUCHER	
	MFG ENGINEER C. YOMOGIDA	
	SIZE B CAGE CODE 00PW4 DWG. NO. FG-901471-2D REV A	
	SCALE: 1:8 CAD FILE: FG-901471-2D.A.7 SHEET: 1 OF 1	