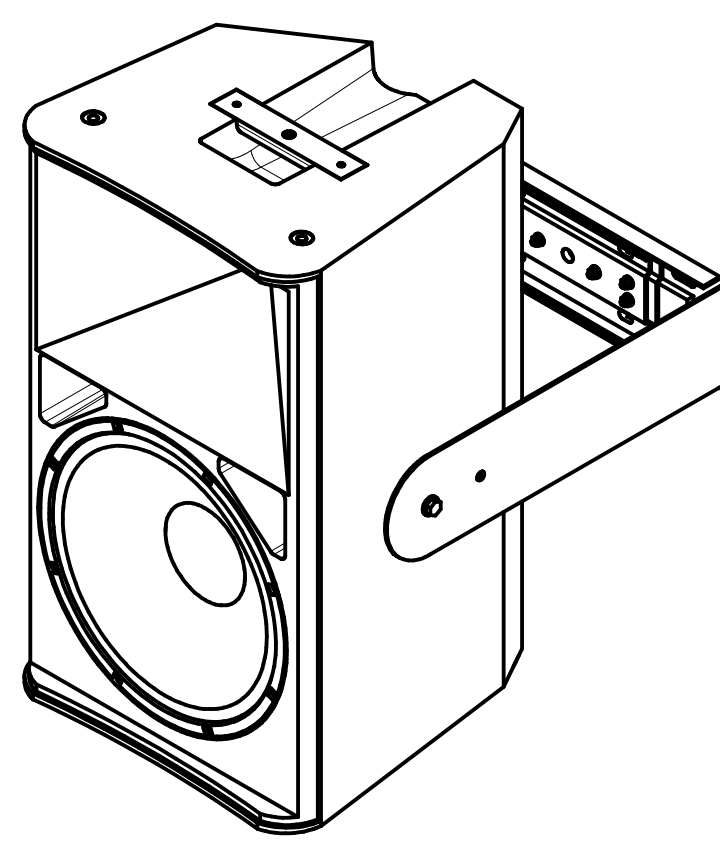
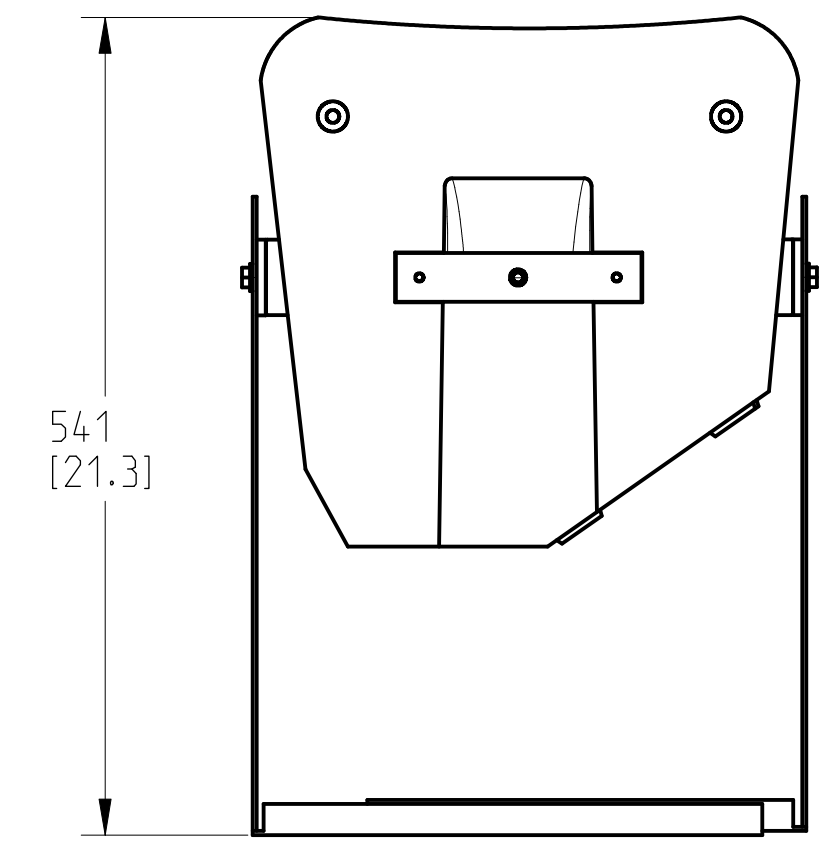
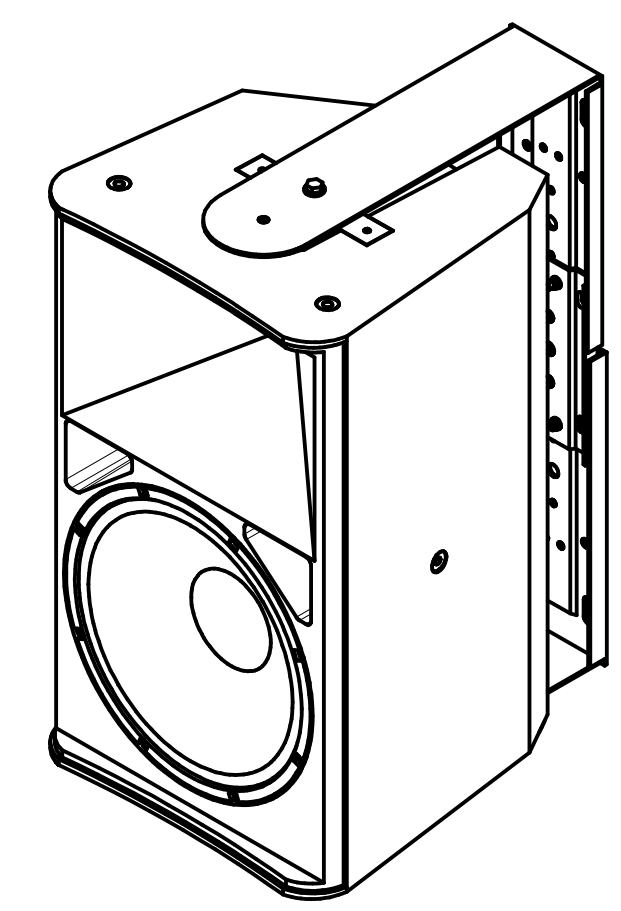
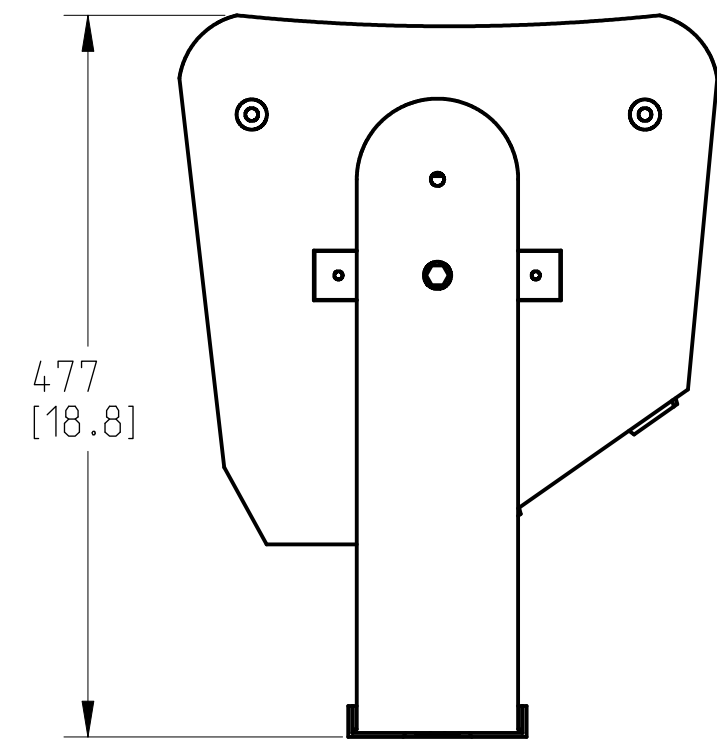


THIS DOCUMENT CONTAINS PROPRIETARY INFORMATION WHICH IS THE PROPERTY OF QSC, LLC. THAT MAY NOT BE DISCLOSED, REPRODUCED OR USED WITHOUT EXPRESS WRITTEN CONSENT FROM QSC, LLC.

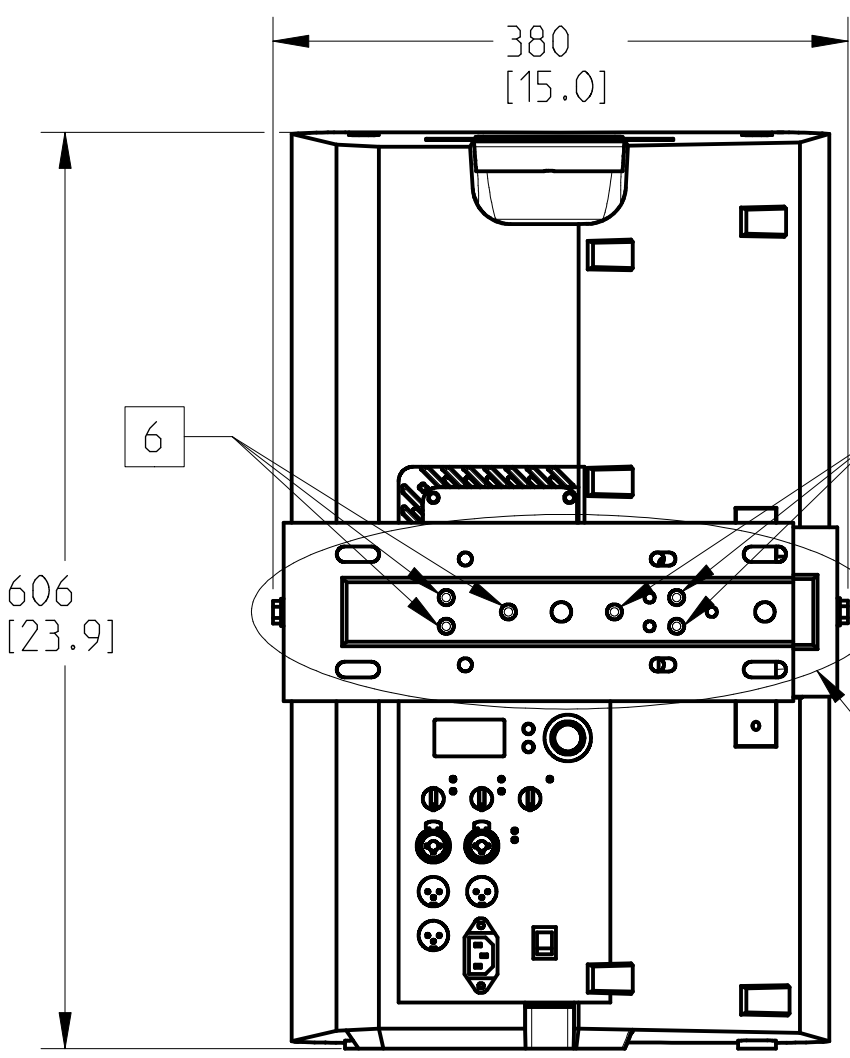
| REVISIONS | | | |
|-----------|---------------------------------|----|-----------|
| REV | DESCRIPTION | BY | DATE |
| A | RELEASE FOR SALES AND MARKETING | ES | 25-APR-17 |
| | | | |
| | | | |



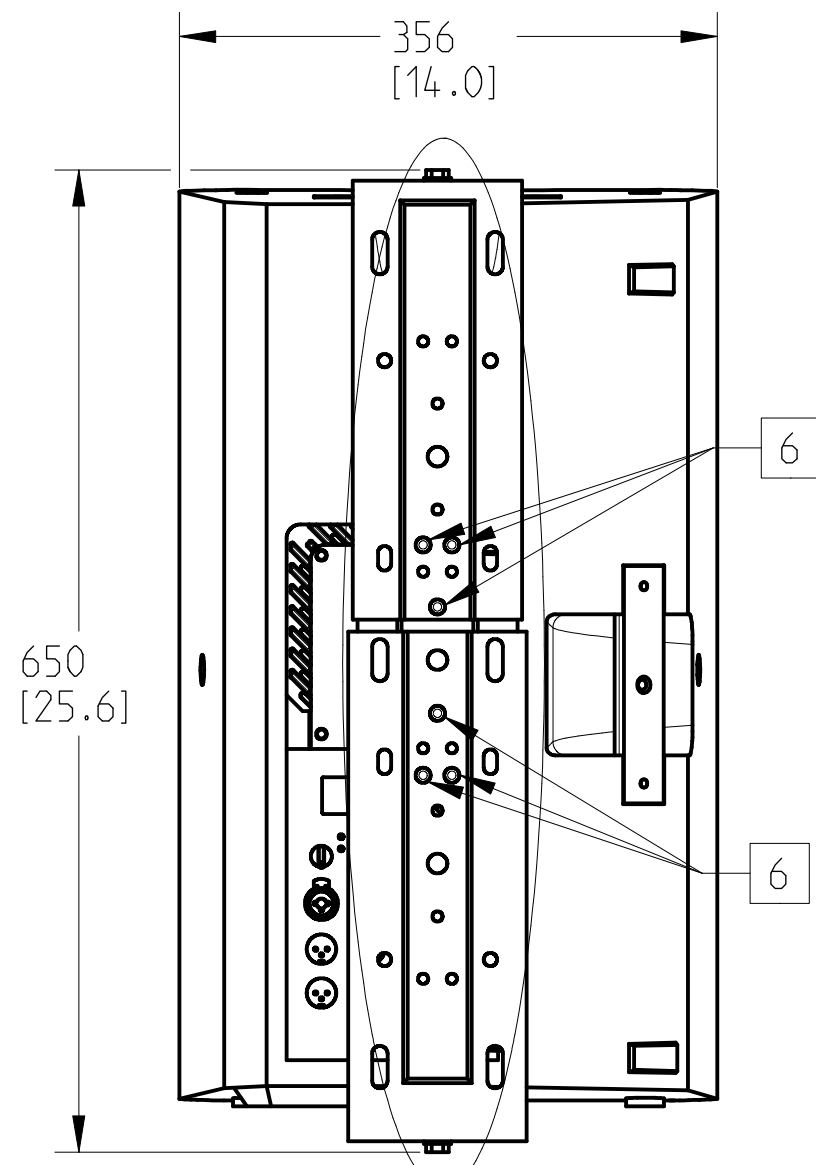
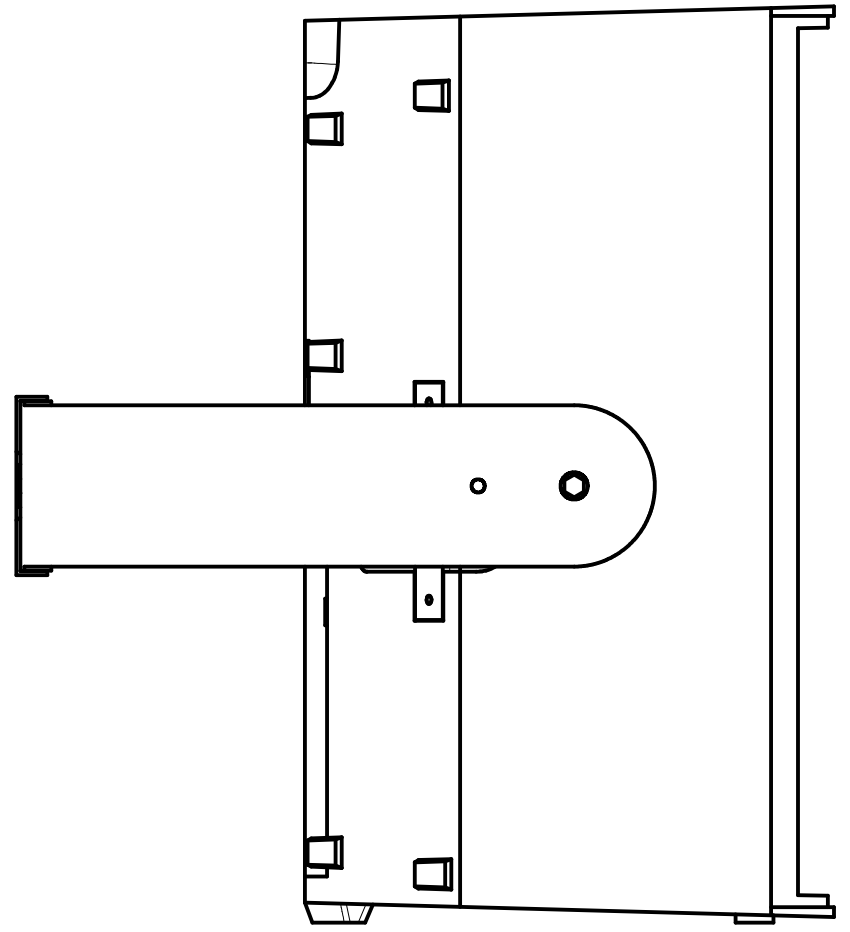
SCALE 0.150



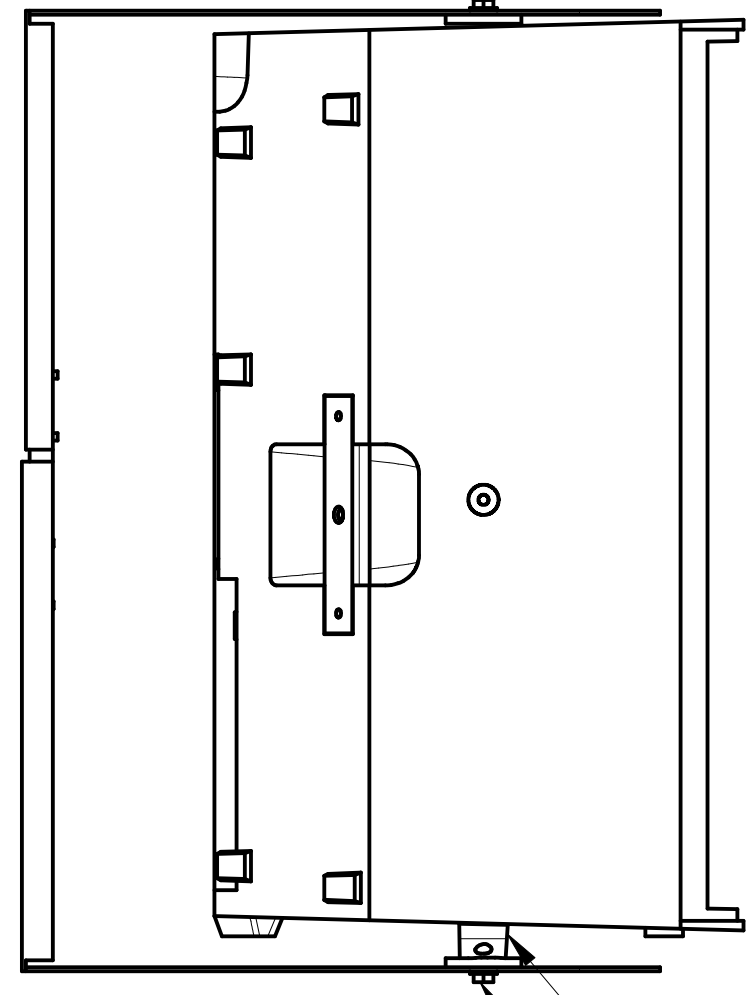
SCALE 0.150



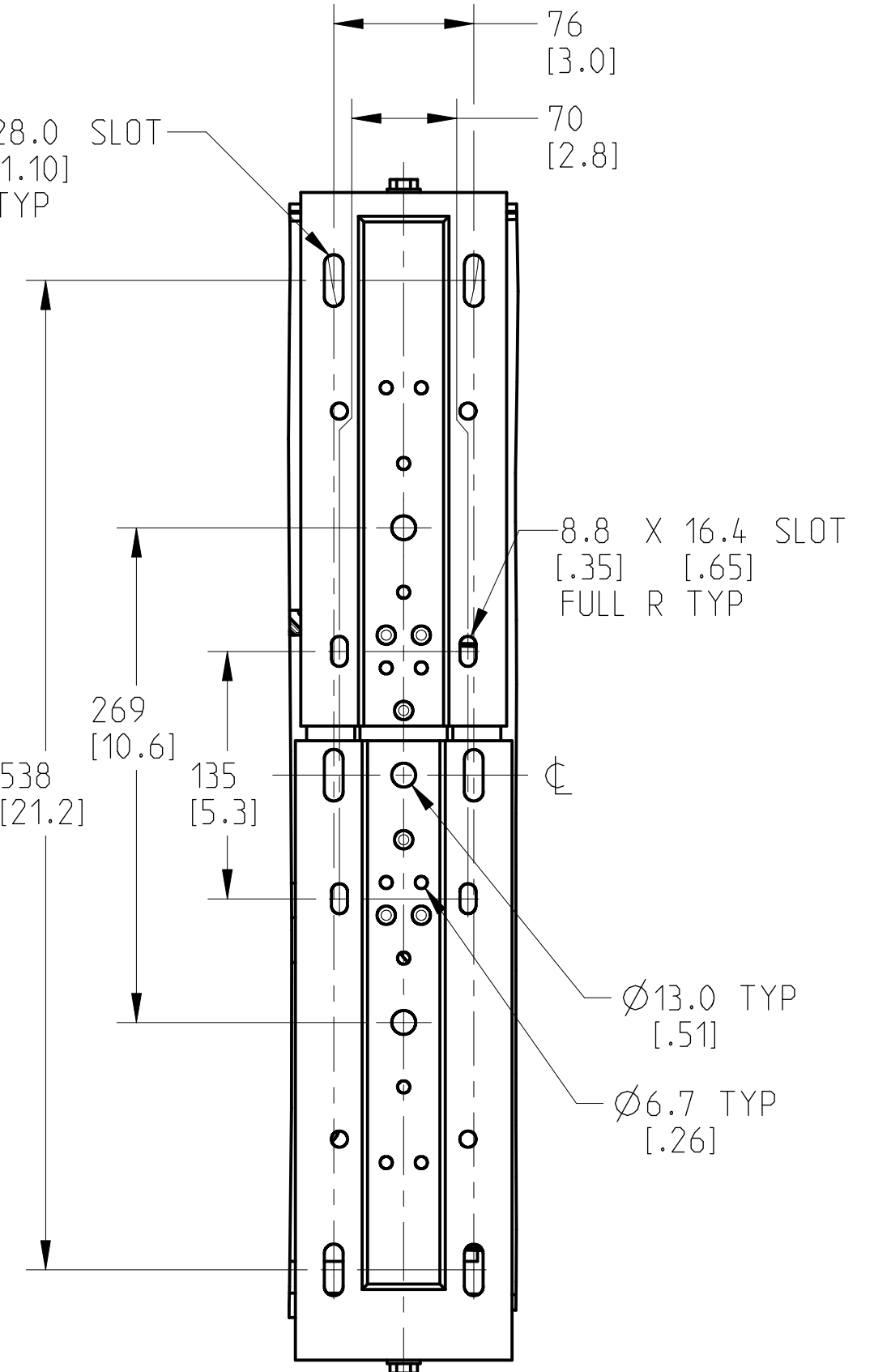
SEE DETAIL A



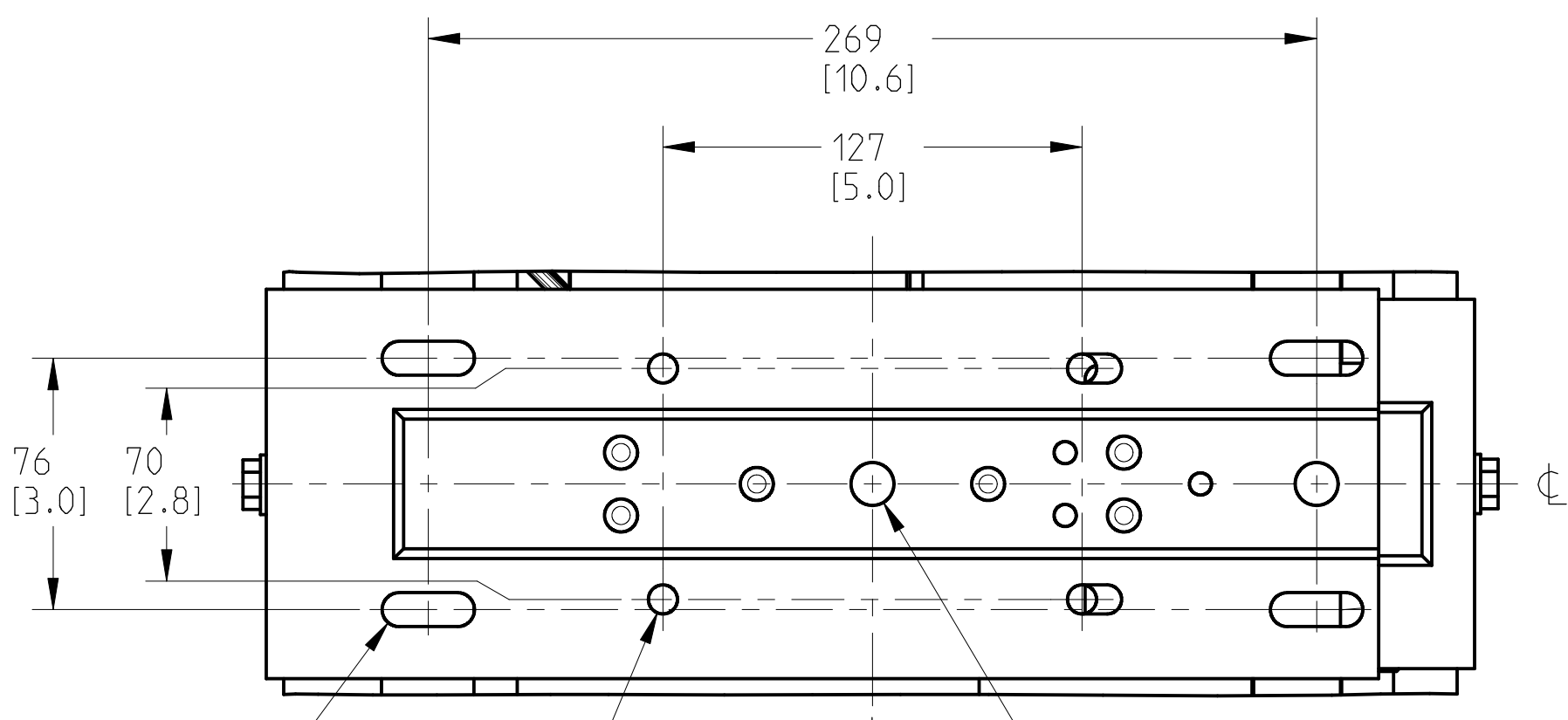
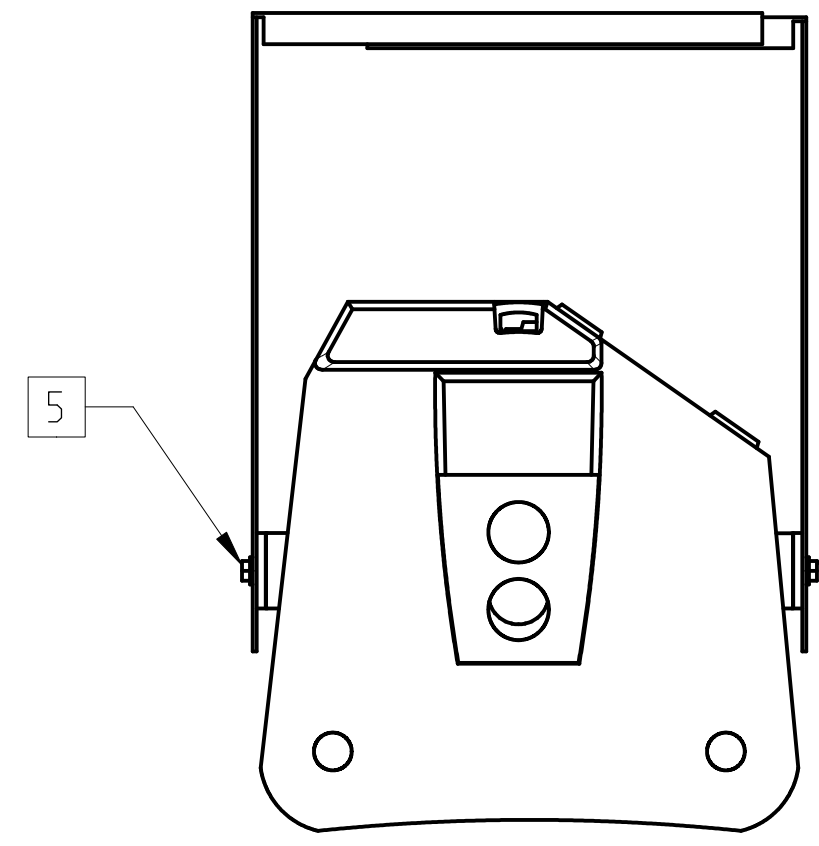
SEE DETAIL B



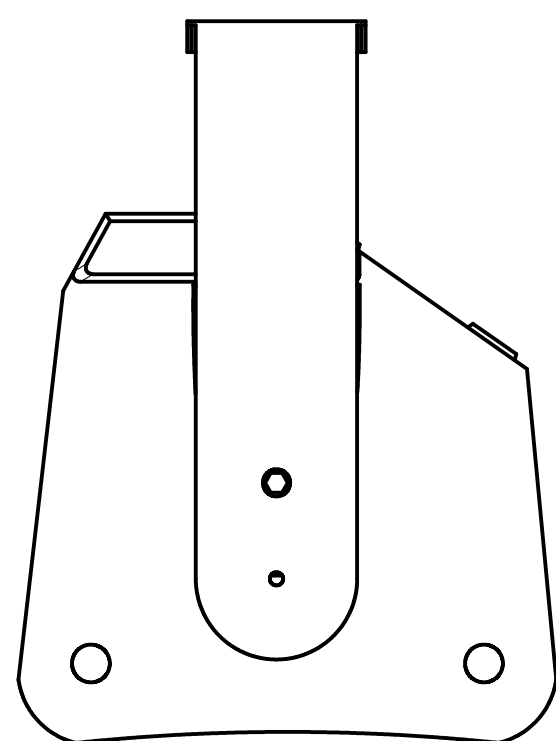
10.3 X 28.0 [1.41] [1.10] FULL R TYP



DETAIL B SCALE 0.300



DETAIL A SCALE 0.500



**FG-000988-3DH
HORIZONTAL PLACEMENT**

**FG-000988-3DV
VERTICAL PLACEMENT**

- 8. PARTS ARE SYMMETRICAL ABOUT CENTER LINES UNLESS OTHERWISE NOTED.
- 7. INSTALL POLE CUP ADAPTER USING 2 CENTER SCREWS FROM THE SPEAKER POLE CUP.
- 6. ASSEMBLE THE YOKE MOUNT COMPONENTS USING M5 SCREWS AND NUTS, 6 PLACES.
- 5. YOKE MOUNT ATTACHMENT POINT, M8 THREAD, 2 PLACES.
- 4. THE SPEAKER IS SHOWN FOR CLARITY, SPEAKER AND MOUNTING YOKE ARE SOLD SEPARATELY.
- 3. DIMENSIONS ARE IN MILLIMETERS [INCH].
- 2. TOLERANCES (MM): X ± 3, ANGLES: ± 1°.
- 1. NET WEIGHT APPROXIMATELY; 4.5 KG [9.9 LBS] (YOKE), 19.82 KG [43.7 LBS] (SPEAKER AND YOKE).

NOTES: UNLESS OTHERWISE SPECIFIED

| | | |
|--|--------------------------------|--|
| UNLESS OTHERWISE SPECIFIED DIMENSIONS IN MILLIMETERS (IN) TOLERANCES ARE: DECIMALS .X±.5(-.02) .XX±.25(-.01) ANGLES .XX±.25(-.01) ± 1/2 DECURR EDGES .25 (1.01) R MAX | DESIGNER ENG. SERVICES | QSC QSC, LLC 1675 MACARTHUR BOULEVARD COSTA MESA, CA 92626 |
| | ENGINEER | |
| MATERIAL | TECHNICAL DIRECTOR | ACCESSORY, K12.2 YOKE MOUNT, FINISHED |
| FINISH | MANUFACTURING ENGINEER | |
| SIZE D | DRAWING INFO: FG-000988-2D.A.1 | SIZE D CAGE CODE 00PW4 DRAWING NO. FG-000988-2D |
| SCALE: 0.200 | MODEL INFO: FG-000988-3DV.A.1 | SCALE: 0.200 DO NOT SCALE DRAWING SHEET 1 OF 1 |