

### Features

- Two-way, bi-amplified screen channel system
- SC-412 provides 90° horizontal by +20° to -30° vertical coverage
- Low-distortion waveguides provide highly articulate dialogue
- Shallow depth (20") facilitates installation



Developed specifically for the unique requirements of professional motion picture playback, the SC-412 extends QSC's commitment to the cinema market. As a member of the DCS Digital Cinema Speaker Series, the SC-412 is a two-way, bi-amplified screen channel loudspeaker system comprised of two main units—the HF-75 high-frequency system and the LF-4115 low-frequency system.

The HF-75 high-frequency system features a 3" large format (75mm) titanium diaphragm compression driver mounted on a custom designed high-frequency cinema horn with an adjustable pan and tilt bracket. The HF-75 includes a driver protection and equalization network. DC blocking capacitors protect against DC or low-frequency signals that would likely destroy an unprotected driver. Power limiter circuitry protects the driver from overpowering and a response correction filter smoothes the frequency response of the horn/driver combination. The driver and equalization network provides for more reliable operation, ensuring the show will go on.

The LF-4115 15" (381mm) low-frequency enclosure is designed specifically to address the extended low-frequency response required for cinema applications. The LF-4115 covers the frequency range from 35 Hz to 1000 Hz, depending upon the high-frequency system requirements.

The SC-412 is designed for ease of installation. The HF-75 components come pre-assembled to reduce field assembly time. Three bolts are all that are required to secure the HF-75 to the top of the LF-4115 enclosure.

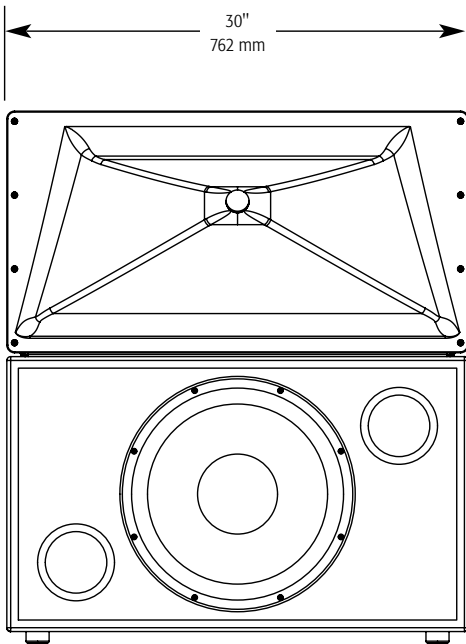
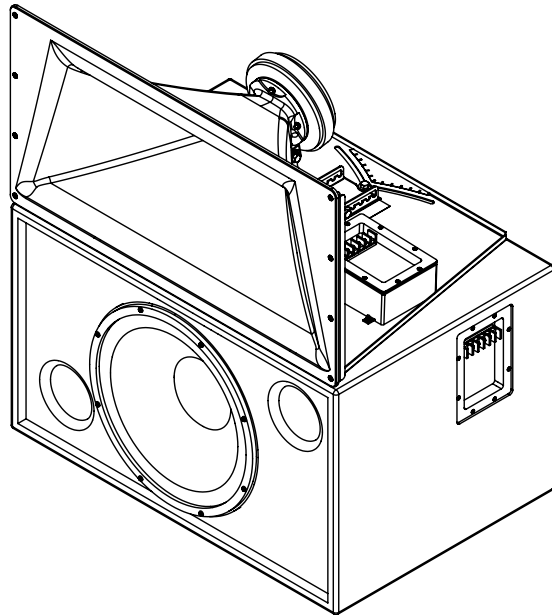
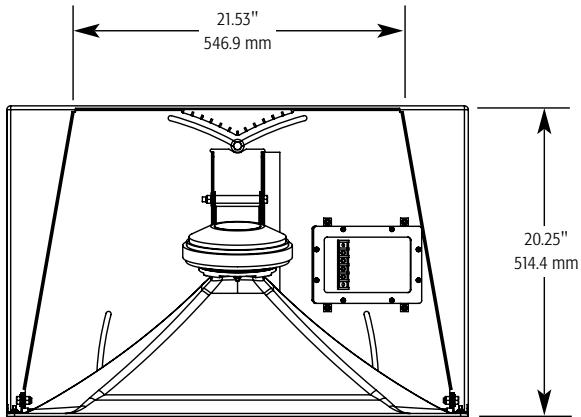
### Specifications

#### SC-412

Nominal Coverage	90° horizontal x +20 to -30° vertical	
Frequency Range	33 Hz - 16 kHz (-6 dB)	
Crossover Frequency	700 Hz, 24 dB per octave	
	<b>LF-4115</b>	<b>HF-75</b>
Impedance	4Ω	8Ω
Sensitivity 1 watt/1 meter, half space	93.5 dB	107.5 dB
Maximum Input Power <sup>1</sup>		
8 hours of 6 db crest factor IEC 268 noise spectrum	400 W RMS	60 W RMS
2 hours of 6 db crest factor pink noise, 50 Hz - 20 kHz, AES method	500 W RMS	80 W RMS
Recommended Amplifier Power	800 W RMS maximum	100 W RMS maximum
Recommended Processing	Subsonic filter below 30 Hz, > 18 dB per octave	4th order LR crossover at 700 Hz
Connectors	Barrier strip screw terminals accept up to #10 AWG stranded wire	Barrier strip screw terminals accept up to #10 AWG stranded wire
Transducers	One 15" (381mm) high efficiency, extended bass woofer featuring a 4" copper voice coil	1.5" (38mm) exit, 3" titanium diaphragm compression driver
Enclosure	Quasi B4 alignment, ported enclosure with fully flared ports, symmetrical port design, tuned to 36 Hz, constructed of MDF and heavily braced. Features vandal resistant woofer mounting bolts	Tilt/Pan Bracket ±10° vertical tilt ±10° horizontal pan
Dimensions (HWD)	18.5" x 30" x 20.3" (470 mm x 762 mm x 516 mm)	16" x 30" x 20" (406 mm x 762 mm x 508 mm)
Weight - Net	83 lbs (38 kg)	40 lbs (18.4 kg)
System Weight	123 lbs (56.4 kg)	
Baffle Cut-Out	35.5" x 32"	

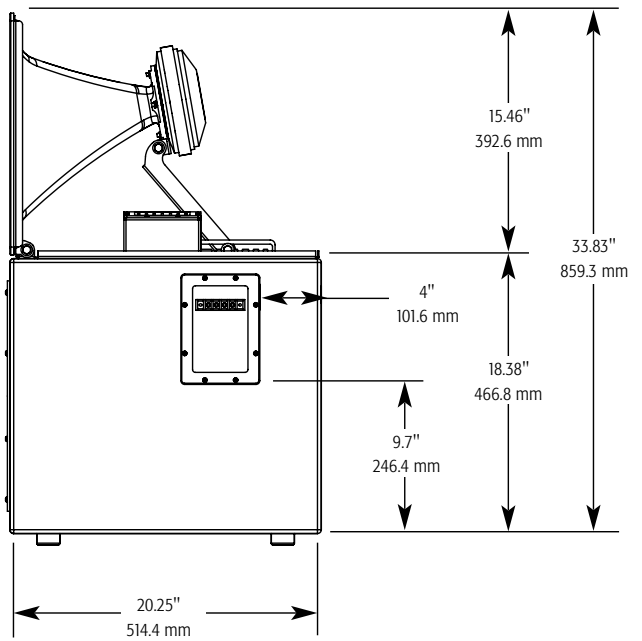
<sup>1</sup>) Maximum input power tested in accordance with IEC 268-5 recommendations, 50 Hz - 20 kHz band limiting, 6 dB signal crest factor.

Top



Front

Side



Specifications subject to change without notice.



1675 MacArthur Blvd., Costa Mesa, CA, 92626 USA  
 Main Number (714) 754-6175 Sales & Marketing (714) 957-7100 or toll free (USA only) (800) 854-4079  
 Customer Service(714) 957-7150 or toll free (USA only) (800) 772-2834

# Cinema Loudspeaker Systems User Manual

## HF-75 High Frequency Component

### Introduction

The HF-75 is the high frequency component of the SC-412 and SC-422 two-way, biamplified screen channel loudspeakers for high performance cinema applications. The system is shipped as two separate components: the HF-75 high frequency system and the LF-4115 or LF-4215 woofer system.

The HF-75 high-frequency system features a large format, 3" (75mm) titanium diaphragm compression driver mounted on a custom designed high-frequency cinema horn with an adjustable pan and tilt bracket. The horn features broad horizontal and vertical coverage angles to ensure coverage of every seat in the auditorium. The horn is a low-distortion waveguide providing highly articulate dialogue without the "honky" coloration associated with conventional horn loudspeakers.

The HF-75 includes a driver protection and equalization network. DC blocking capacitors protect against DC or low-frequency signals that would likely destroy an unprotected driver. Power limiter circuitry protects the driver from over-powering and a response correction filter smooths the frequency response of the horn/driver combination. The driver and equalization network provides for more reliable operation, ensuring the show will go on.

The HF-75 components come pre-assembled to reduce field assembly time. Three bolts are all that are required to secure the HF-75 to the top of the low frequency enclosure.

### Mounting

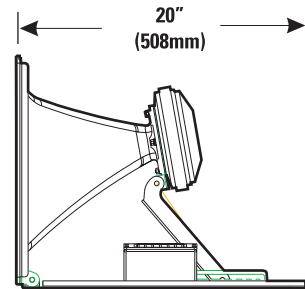
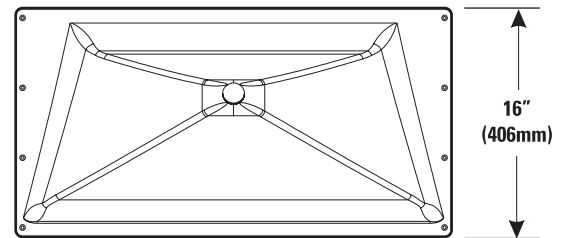
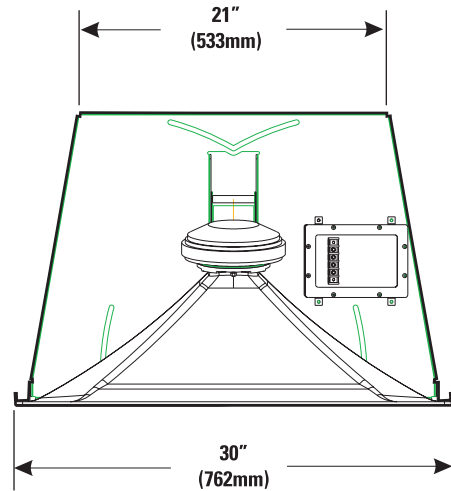
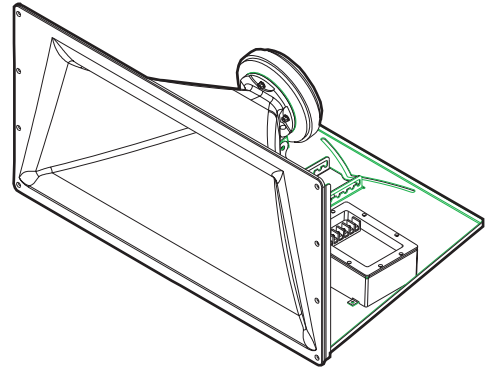
Refer to the illustration for mounting information. The HF-75 attaches to the top of the LF-4115 or LF-4215 with three 5/16-18 bolts, 0.75" long, with lock washers. We recommend the use of serviceable thread locking compound when installing the bolts to prevent loosening due to vibration. Aim the horn in the horizontal plane (pan) before tightening. Adjust the vertical tilt with the bracket adjustment.



**Install in accordance with QSC Audio Product's instructions and a licensed, professional engineer. Only use attachments, mounts, accessories, or brackets specified by QSC Audio Products, Inc. Refer all servicing to qualified personnel. Servicing is required when the apparatus has been damaged in any way.**



**WARNING! Before placing, installing, rigging, or suspending any speaker product, inspect all hardware, suspension, cabinets, transducers, brackets and associated equipment for damage. Any missing, corroded, deformed or non-load rated component could significantly reduce the strength of the installation, placement, or array. Any such condition severely reduces the safety of the installation and should be immediately corrected. Use only hardware which is rated for the loading conditions of the installation and any possible short-term unexpected overloading. Never exceed the rating of the hardware or equipment. Consult a licensed, professional engineer when any doubt or questions arise regarding a physical equipment installation.**



## Connections

The HF-75 has barrier strip screw terminals that accept up to #10 AWG stranded loudspeaker wire.

### HF INPUT Terminals

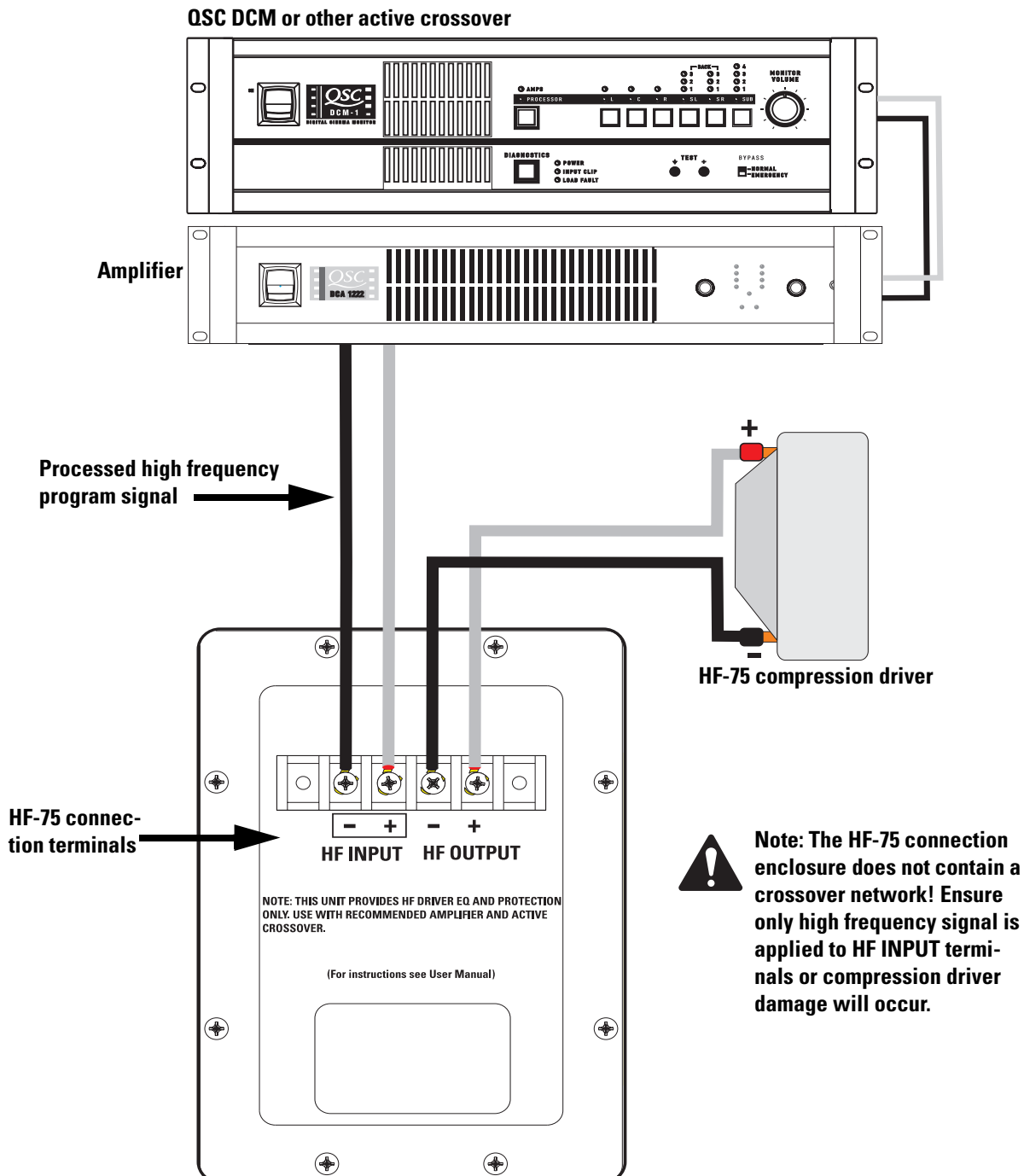
Connect the amplifier's output signal to the loudspeaker's HF INPUT terminals. Observe proper polarity; amplifier + signal to loudspeaker + HF INPUT, amplifier - signal to loudspeaker - HF INPUT. Use the largest wire size and shortest length for the application.



**NOTE! Do not apply full range signal to the HF-75! There is no crossover in the HF-75, only a compensation/delay network. All required signal processing must be done upstream of the HF-75. Maintain proper loudspeaker connection polarity throughout the entire system for maximum performance.**

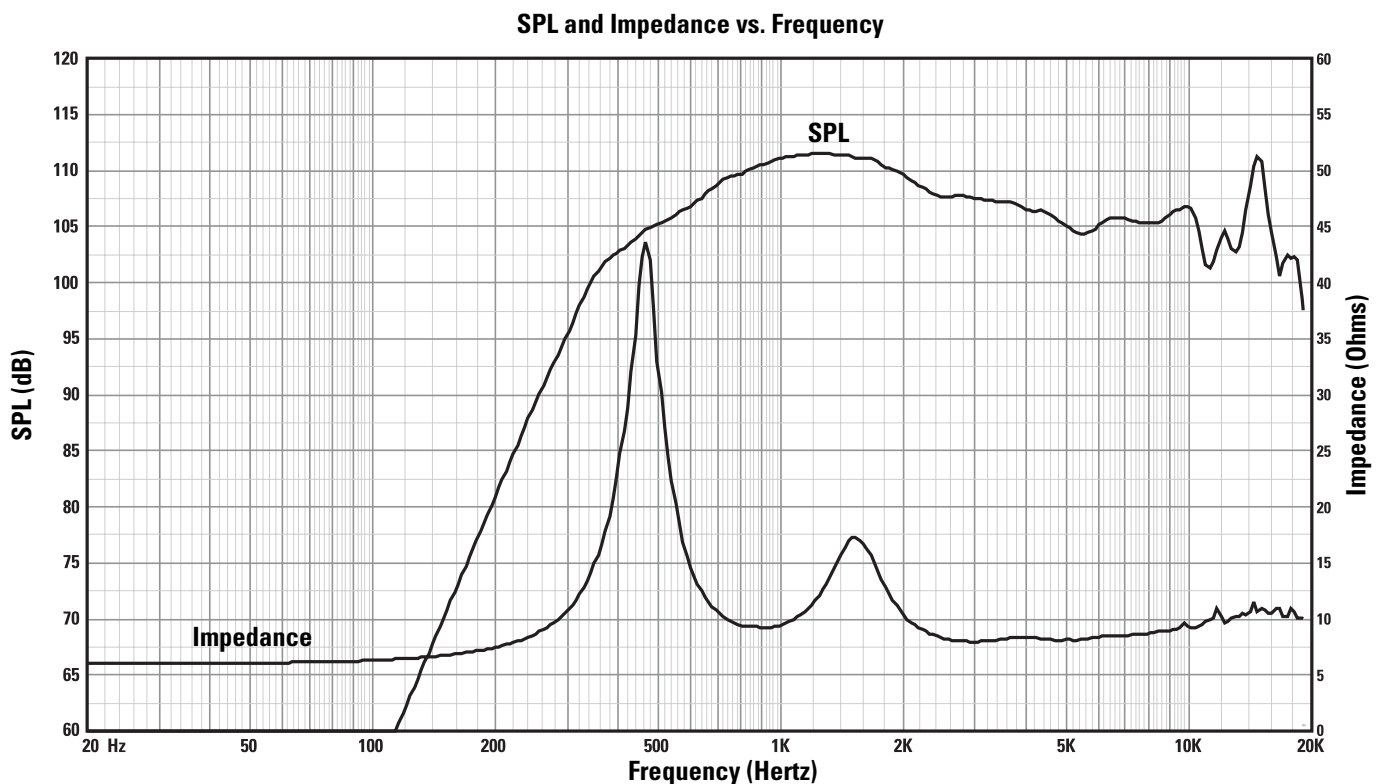
### HF OUTPUT Terminals

The HF OUTPUT terminals are factory-connected to the compression driver. These terminals should ONLY be connected to the HF-75's compression driver.



## **HF-75 Specifications (subject to change without notice)**

<b>Frequency Range:</b>	600 - 16k Hz (-6 dB, full space)
<b>Nominal Coverage:</b>	90° horizontal X +15° to -35° vertical (50° total, adjustable mount provides for vertical plane adjustments. The horizontal plane can be adjusted by altering mounting position on the LF-4215 enclosure before tightening bolts.
<b>DI:</b>	9.0 dB (600 to 16,000 Hertz average)
<b>Q:</b>	8.0 (600 to 16,000 Hertz average)
<b>Maximum Output:</b>	133 dB SPL calculated peak, 1 meter, half space.
<b>Impedance:</b>	8 ohms nominal 8.0 ohms minimum at 3,000 Hertz 104 ohms maximum at 475 Hertz
<b>Maximum Input Power:</b>	60 watts rms (100 hours of 6 dB crest factor pink noise, 500 to 20,000 Hertz, IEC method) 80 watts rms (2 hours of 6 dB crest factor pink noise, 60 - 6,000 Hertz, AES method)
<b>Sensitivity:</b>	108 dB half space, 1 watt, 1 meter
<b>Crossover Frequency:</b>	700 Hertz or higher, 24 dB per octave
<b>Connectors:</b>	Barrier strip screw terminals accept up to #10 AWG stranded wire. Four terminals: (two HF INPUT and two post compensation HF OUTPUT). HF OUTPUT factory wired to compression driver.
<b>Transducers:</b>	1.5" (38mm) exit, 3.0" (76mm) titanium diaphragm compression driver.
<b>Mounting Hardware:</b>	Attaches to top of low frequency cabinet using three 5/16"-18 x 3/4" long bolts.
<b>Size:</b>	30" wide X 16" high X 20" deep (762mm X 406mm X 508mm)
<b>Weight:</b>	50 lbs. (shipping), 40 lbs. (net), 22.7/18.4 kilograms



## **Warranty (USA only; other countries, see your dealer or distributor)**

### **Disclaimer**

QSC Audio Products, Inc. is not liable for any damage to amplifiers, or any other equipment that is caused by negligence or improper installation and/or use of this loudspeaker product.

### **QSC Audio Products 3 Year Limited Warranty**

QSC Audio Products, Inc. ("QSC") guarantees its products to be free from defective material and / or workmanship for a period of three (3) years from date of sale, and will replace defective parts and repair malfunctioning products under this warranty when the defect occurs under normal installation and use - provided the unit is returned to our factory or one of our authorized service stations via pre-paid transportation with a copy of proof of purchase (i.e., sales receipt). This warranty provides that the examination of the return product must indicate, in our judgment, a manufacturing defect. This warranty does not extend to any product which has been subjected to misuse, neglect, accident, improper installation, or where the date code has been removed or defaced. QSC shall not be liable for incidental and/or consequential damages. This warranty gives you specific legal rights. This limited warranty is freely transferable during the term of the warranty period.

Customer may have additional rights, which vary from state to state.

In the event that this product was manufactured for export and sale outside of the United States or its territories, then this limited warranty shall not apply. Removal of the serial number on this product, or purchase of this product from an unauthorized dealer, will void this limited warranty. Periodically, this warranty is updated. To obtain the most recent version of QSC's warranty statement, please visit [www.qscaudio.com](http://www.qscaudio.com). Contact us at 800-854-4079 or visit our website at [www.qscaudio.com](http://www.qscaudio.com).

## **Contacting QSC Audio Products**

Mailing address:QSC Audio Products, Inc.  
1675 MacArthur Boulevard  
Costa Mesa, CA 92626-1468 USA

### Telephone Numbers:

Main Number (714) 754-6175

Sales & Marketing (714) 957-7100 or toll free (USA only) (800) 854-4079

Customer Service(714) 957-7150 or toll free (USA only) (800) 772-2834

### Facsimile Numbers:

Sales & Marketing Fax(714) 754-6174

Customer Service Fax(714) 754-6173

World Wide Web:[www.qscaudio.com](http://www.qscaudio.com)

E-mail:[info@qscaudio.com](mailto:info@qscaudio.com)

[service@qscaudio.com](mailto:service@qscaudio.com)



QSC Audio Products, Inc. 1675 MacArthur Boulevard Costa Mesa, California 92626 USA  
©2003, 2004 "QSC" and the QSC logo are registered with the U.S. Patent and Trademark Office.



1675 MacArthur Blvd., Costa Mesa, CA, 92626 USA  
 Main Number (714) 754-6175 Sales & Marketing (714) 957-7100 or toll free (USA only) (800) 854-4079  
 Customer Service (714) 957-7150 or toll free (USA only) (800) 772-2834

# Cinema Loudspeaker Systems User Manual

## LF-4115 Low Frequency Loudspeaker

### Introduction

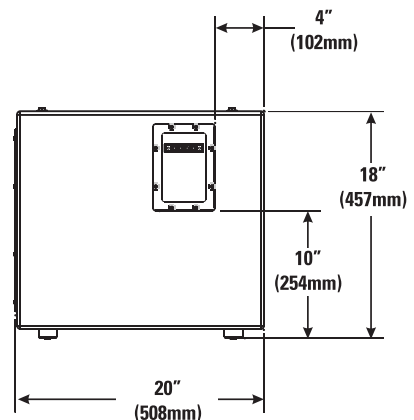
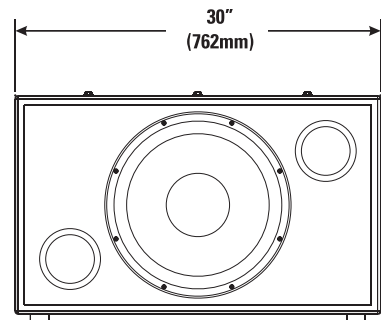
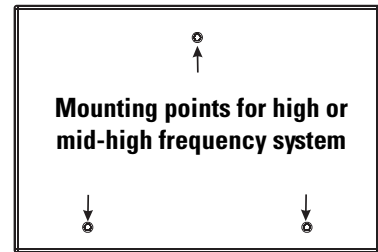
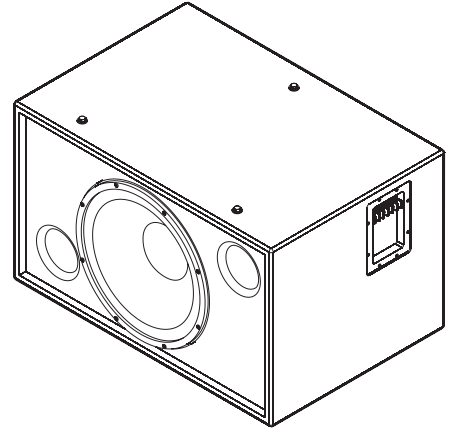
The LF-4115 15" (381mm) low frequency enclosure is designed specifically for cinema applications. Meeting cinema requirements for extended low frequency response differentiates the LF-4115 from more conventional "rock-and-roll" woofer systems. The LF-4115 covers the frequency range from 33 Hertz to 1200 Hertz, depending upon the high frequency system requirements.

The custom 400 watt, 15" transducer was developed specifically for cinema use. It features a 4" (100mm) voice coil, 120 oz.(3.4kg) ceramic magnet, and a multi-vented pole piece to ensure cool operation. Cooler temperatures increase transducer lifespan and decrease the problem of power compression at high power levels. An undercut pole piece ensures the voice coil operates in a symmetrical magnetic gap, reducing second order harmonic distortion. The suspension and voice coil of the transducer have been designed to provide low distortion and high impact bass at high power.

The enclosure is constructed of high quality medium density fiberboard panels with stiffening braces on all six panels. Both internal and external port openings are fully radiused ensuring smooth air flow at higher power levels, preventing audible port turbulence.

Bass ports are symmetrically spaced on each side of the transducer, making internal pressure more uniform across the back surface of the transducer. This prevents the cone from being displaced to one side or another by unbalanced forces, reducing the chance of driving the voice coil out of the center of the gap at high power.

Three T-nuts in the top of the enclosure provide easy mounting of QSC's HF-75 high frequency system, or MH-1063 mid-high system.



**Enclosure is not designed to be suspended, flown, or rigged. Do not suspend, fly, or rig this enclosure.**

**This product is capable of producing sound pressure levels that can permanently damage human hearing. Always keep sound pressure levels in the listening area below levels that can damage human hearing.**

**Install in accordance with QSC Audio Product's instructions and a licensed, professional engineer. Only use attachments, mounts, accessories, or brackets specified by QSC Audio Products, Inc. Refer all servicing to qualified personnel. Servicing is required when the apparatus has been damaged in any way.**



**WARNING! Before placing, installing, rigging, or suspending any speaker product, inspect all hardware, suspension, cabinets, transducers, brackets and associated equipment for damage. Any missing, corroded, deformed or non-load rated component could significantly reduce the strength of the installation, placement, or array. Any such condition severely reduces the safety of the installation and should be immediately corrected. Use only hardware which is rated for the loading conditions of the installation and any possible short-term unexpected overloading. Never exceed the rating of the hardware or equipment. Consult a licensed, professional engineer when any doubt or questions arise regarding a physical equipment installation.**

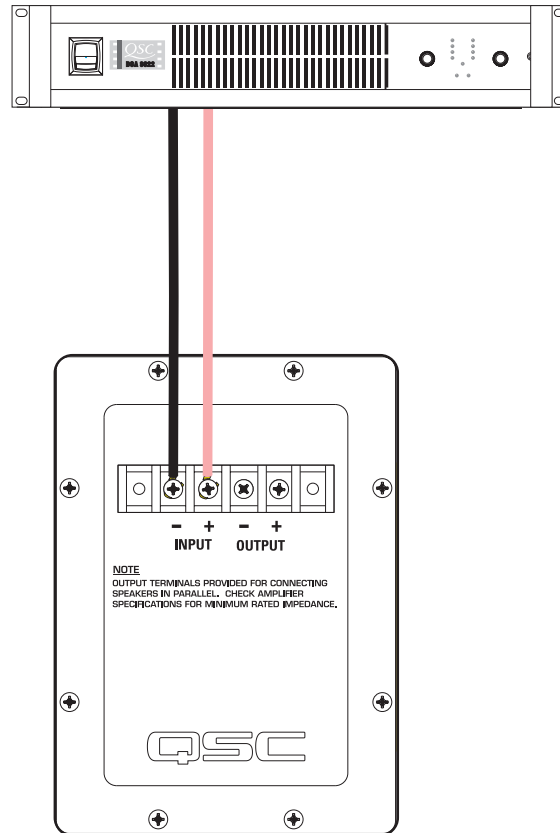


## Connections

### Normal Connection

The LF-4115 has barrier strip screw terminals for connection. The terminals accept up to #10 AWG (5.3mm<sup>2</sup>) stranded loud-speaker wiring. Use the largest wire size and shortest wire length possible for a given installation. Observe the polarity markings and keep polarity consistent throughout the system for best performance.

### Normal Connection Example:

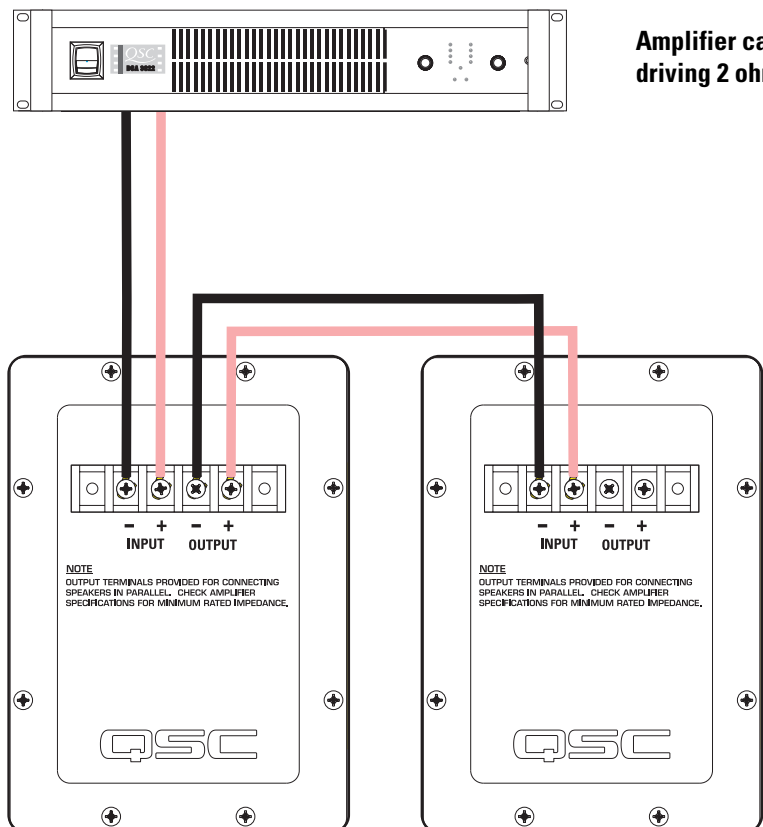


**Amplifier capable of driving 4 ohm loads**

### Parallel Connection of Second LF-4115

The terminals marked **OUTPUT** may be used to connect another LF-4115 in parallel. Connect the wires as shown in the illustration, at right.

### Parallel Connection Example:



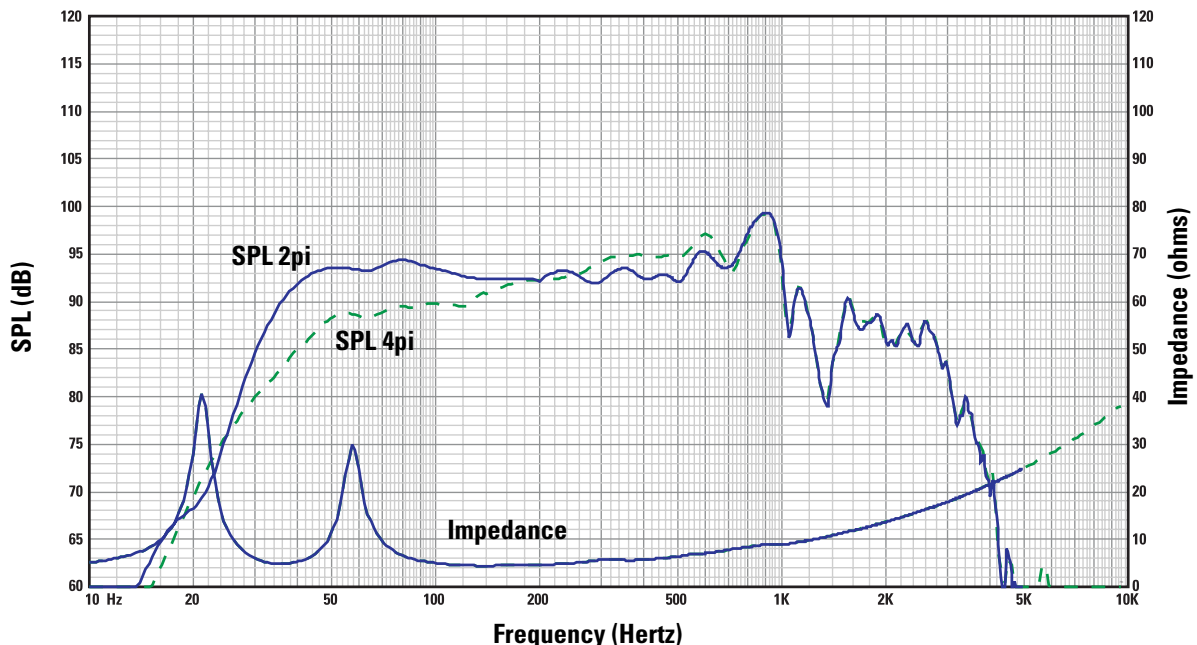
**Amplifier capable of driving 2 ohm loads**



## **LF-4115 Specifications (subject to change without notice)**

<b>Frequency Range:</b>	33 - 1200 Hertz (-6dB) 29 - 3000 Hertz useable range (-10dB)
<b>Nominal Coverage:</b>	100° horizontal X 100° vertical at 1000 Hertz
<b>Maximum Output:</b>	127.0dB SPL calculated peak, 1 meter, half space, at rated rms power with 6 dB crest factor pink noise input, 35 - 1000 Hertz. 121.0dBA SPL calculated maximum continuous, 1 meter. The dBA scale is typically used to identify sound sources which can cause permanent hearing loss.
<b>Impedance:</b>	4 ohms nominal 4.3 ohms minimum, 160 Hertz 40 ohms maximum, 22 Hertz
<b>Maximum Input Power:</b>	400 watts rms (8 hours of 6dB crest factor pink noise, 40 - 400 Hertz) 600 watts rms (2 hours of 6dB crest factor pink noise, 40 - 400 Hertz) recommended amplifier power capability- 1100 watts rms maximum into 4 ohms (per LF-4115)
<b>Sensitivity:</b>	93.5dB half space, 92.0dB full space, 35 - 1000 Hertz, 1 watt, 1 meter
<b>Recommended Processing:</b>	Subsonic filter below 30 Hertz, >18 dB per octave, maximum recommended crossover frequency is 1000 Hertz. QSC DSP configurations are available at <a href="http://www.qscaudio.com">www.qscaudio.com</a> . Parameters for alternative processing hardware are available upon request.
<b>Connectors:</b>	Barrier strip screw terminals accept up to #10 AWG (5.3mm <sup>2</sup> ) stranded wire. Four terminals: (two <b>INPUT</b> and two parallel <b>OUTPUT</b> ).
<b>Transducers:</b>	15" (381mm) high efficiency low frequency transducer featuring vented 4" (100mm) copper voice coil on Kapton® formers. High excursion/low distortion design, with extremely high power handling, and low thermal and port compression.
<b>Enclosure:</b>	Quasi B4 alignment, ported enclosure with fully flared ports, low turbulence symmetrical port design, tuned to 36 Hertz, constructed of medium density fibreboard and heavily braced. Features vandal resistant woofer mounting bolts.
<b>Size:</b>	30" wide X 18" high X 20" deep (762mm X 457mm X 508mm)
<b>Weight:</b>	96 lbs. shipping, 83 lbs. net (44/38 kg.)

**SPL and Impedance vs. Frequency**



## **Warranty (USA only; other countries, see your dealer or distributor)**

### **Disclaimer**

QSC Audio Products, Inc. is not liable for any damage to amplifiers, or any other equipment that is caused by negligence or improper installation and/or use of this loudspeaker product.

### **QSC Audio Products 3 Year Limited Warranty**

QSC Audio Products, Inc. ("QSC") guarantees its products to be free from defective material and / or workmanship for a period of three (3) years from date of sale, and will replace defective parts and repair malfunctioning products under this warranty when the defect occurs under normal installation and use - provided the unit is returned to our factory or one of our authorized service stations via pre-paid transportation with a copy of proof of purchase (i.e., sales receipt). This warranty provides that the examination of the return product must indicate, in our judgment, a manufacturing defect. This warranty does not extend to any product which has been subjected to misuse, neglect, accident, improper installation, or where the date code has been removed or defaced. QSC shall not be liable for incidental and/or consequential damages. This warranty gives you specific legal rights. This limited warranty is freely transferable during the term of the warranty period.

Customer may have additional rights, which vary from state to state.

In the event that this product was manufactured for export and sale outside of the United States or its territories, then this limited warranty shall not apply. Removal of the serial number on this product, or purchase of this product from an unauthorized dealer, will void this limited warranty. Periodically, this warranty is updated. To obtain the most recent version of QSC's warranty statement, please visit [www.qscaudio.com](http://www.qscaudio.com). Contact us at 800-854-4079 or visit our website at [www.qscaudio.com](http://www.qscaudio.com).

## **Contacting QSC Audio Products**

Mailing address: QSC Audio Products, Inc.  
1675 MacArthur Boulevard  
Costa Mesa, CA 92626-1468 USA

### Telephone Numbers:

Main Number (714) 754-6175

Sales & Marketing (714) 957-7100 or toll free (USA only) (800) 854-4079

Customer Service (714) 957-7150 or toll free (USA only) (800) 772-2834

### Facsimile Numbers:

Sales & Marketing Fax (714) 754-6174

Customer Service Fax (714) 754-6173

World Wide Web: [www.qscaudio.com](http://www.qscaudio.com)

E-mail: [info@qscaudio.com](mailto:info@qscaudio.com)

[service@qscaudio.com](mailto:service@qscaudio.com)



QSC Audio Products, Inc. 1675 MacArthur Boulevard Costa Mesa, California 92626 USA

©2004 "QSC" and the QSC logo are registered with the U.S. Patent and Trademark Office.

Kapton® is a registered trademark of E.I. du Pont de Nemours and Company.



1675 MacArthur Blvd., Costa Mesa, CA, 92626 EE.UU.  
Número principal +1 (714) 754-6175 Ventas y Comercialización +1 (714) 957-7100  
o línea sin costo (sólo para EE.UU.) +1 (800) 854-4079  
Servicio al cliente +1 (714) 957-7150 o gratis (sólo EE.UU.) +1 (800) 772-2834

## Manual del usuario de los sistemas de altavoces para salas de cine

### Componente de alta frecuencia HF-75

#### Introducción

El HF-75 es el componente de alta frecuencia de los altavoces bidireccionales SC-412 y SC-422 de canal de pantalla biamplificada, para aplicaciones cinematográficas de alto rendimiento. El sistema se envía como dos componentes separados: el sistema de alta frecuencia HF-75 y el sistema de woofer LF-4115 o LF-4215.

El sistema HF-75 de alta frecuencia tiene un formato grande, un excitador de compresión con diafragma de titanio de 3" (75 mm) montado en un cuerno cinematográfico de alta frecuencia de diseño bajo especificaciones con un soporte de movimiento horizontal y vertical ajustable. El cuerno tiene amplios ángulos de cobertura horizontal y vertical para asegurar la cobertura de cada asiento del auditorio. El cuerno es una guíaonda de baja deformación que proporciona un diálogo altamente articulado sin la coloración de "bocina" asociada con los altavoces de cuerno convencionales.

El HF-75 incluye protección del excitador y una red de ecualización. Los capacitores de bloqueo de CC protegen contra señales de CC o de baja frecuencia que probablemente destruirían un excitador no protegido. El circuito limitador de potencia protege al excitador contra las sobrecargas, y un filtro de corrección de respuesta suaviza la respuesta de frecuencia de la combinación cuerno/excitador. El excitador y la red de ecualización proporcionan una operación más confiable, asegurando la continuación del espectáculo.

Los componentes del sistema HF-75 vienen ya montados para reducir el tiempo de montaje en el campo. Tres pernos es todo lo que se requiere para fijar el HF-75 en la parte superior de la caja del sistema de baja frecuencia.

#### Montaje

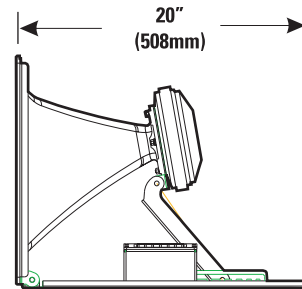
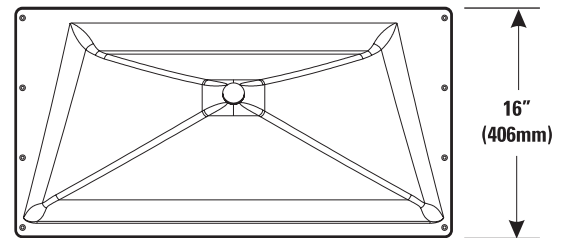
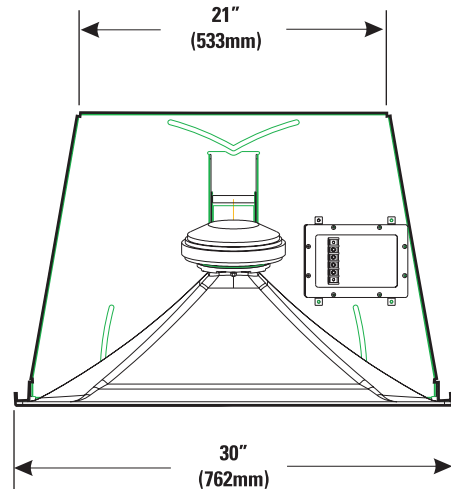
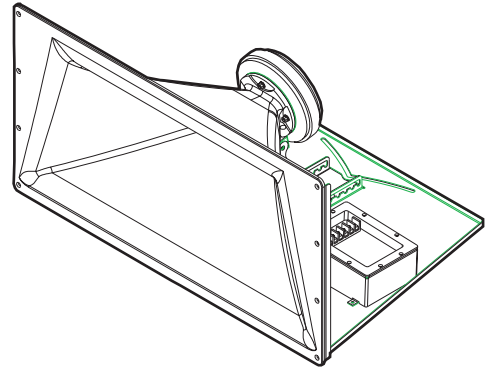
Vea la información sobre el montaje en la ilustración. El HF-75 se conecta en la parte superior del LF-4115 o LF-4215 con tres pernos de 5/16-18, de 0.75" de largo, con arandelas de fijación. Recomendamos el uso de un compuesto duradero para fijación de roscas al instalar los pernos para evitar que se aflojen debido a la vibración. Oriente el cuerno en el plano horizontal antes de apretarlo. Ajuste la posición vertical con el soporte de ajuste.



**Instale de acuerdo con las instrucciones de QSC Audio Products y de un ingeniero profesional con la debida licencia. Sólo use piezas, montajes, accesorios o soportes especificados por QSC Audio Products, Inc. Refiera todo el servicio a personal calificado. Cuando el aparato haya sido dañado de alguna manera, es necesario proporcionarle servicio.**



**¡ADVERTENCIA! Antes de colocar, instalar, montar o suspender cualquier producto de altavoz, inspeccione todo el equipo físico, la suspensión, los armarios, los transductores, los soportes y el equipo asociado para detectar la existencia de daños. Cualquier componente faltante, corroido, deformado, o sin carga nominal podría reducir significativamente la resistencia de la instalación, la colocación o la configuración. Cualquier condición de este tipo reduce gravemente la seguridad de la instalación y debe corregirse de inmediato. Use sólo herraje que esté clasificado para las condiciones de carga de la instalación y cualquier posible carga excesiva a corto plazo inesperada. Nunca exceda el valor nominal del equipo físico ni del dispositivo. Consulte a un ingeniero profesional con la debida licencia cuando surjan dudas o preguntas referentes a la instalación física del equipo.**



## Conexiones

El HF-75 tiene terminales de tornillo de barra protectora que aceptan alambre trenzado de calibre de hasta #10 AWG para altavoces.

### Terminales de ENTRADA de HF

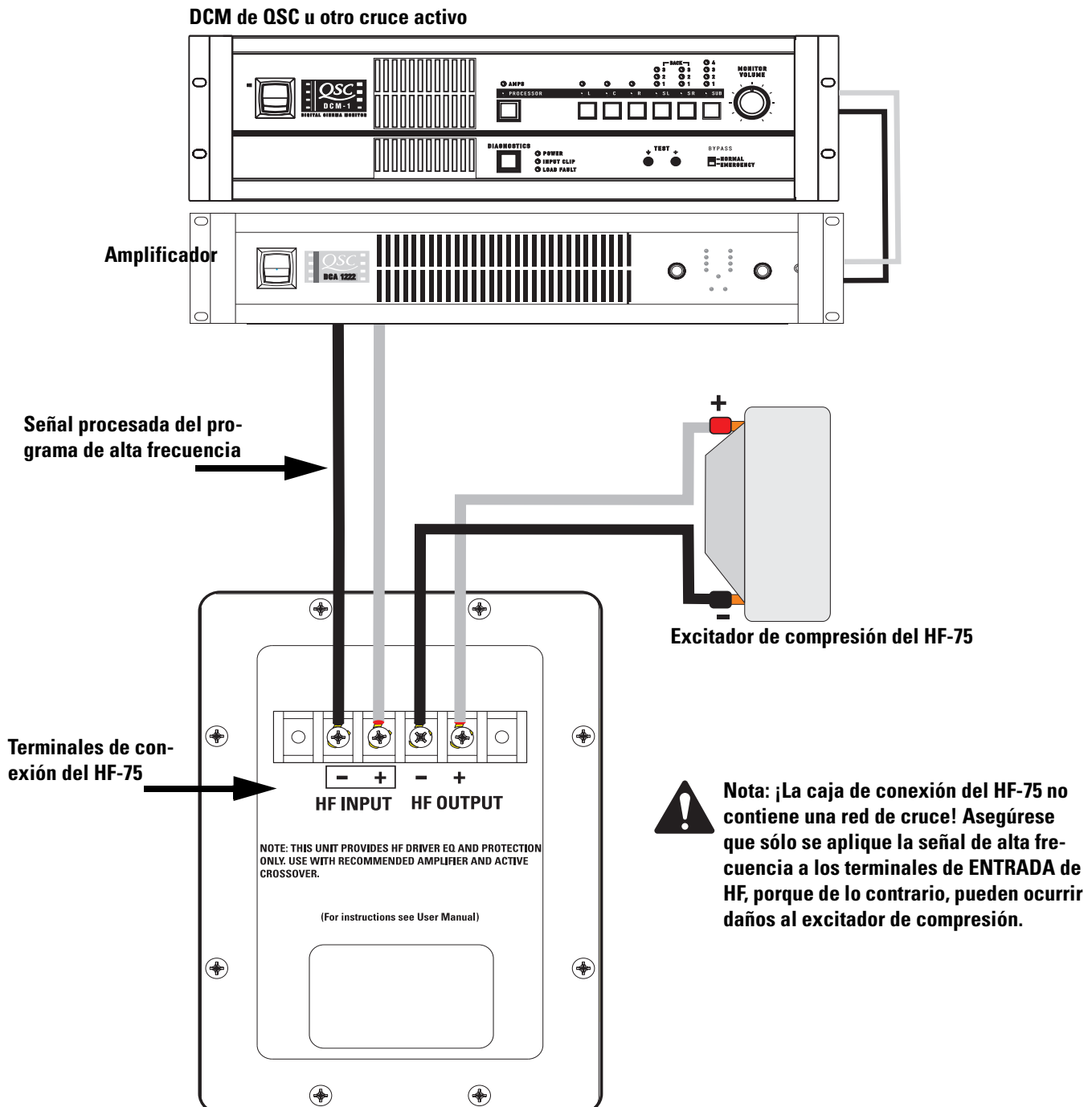
Conecte la señal de salida del amplificador en los terminales de ENTRADA de HF del altavoz. Observe la polaridad adecuada; amplificador + señal al altavoz + ENTRADA de HF, amplificador - señal al altavoz - ENTRADA de HF. Use el alambre de calibre más grande y de longitud más corta para la aplicación.



**¡NOTA! Mantenga la polaridad adecuada en la conexión del altavoz en todo el sistema para obtener el máximo rendimiento. ¡No aplique una señal de intervalo total al HF-75! No hay cruce en el HF-75, sólo una red de compensación/demora. Todo el procesamiento de señales requerido debe hacerse antes del HF-75.**

### Terminales de SALIDA de HF

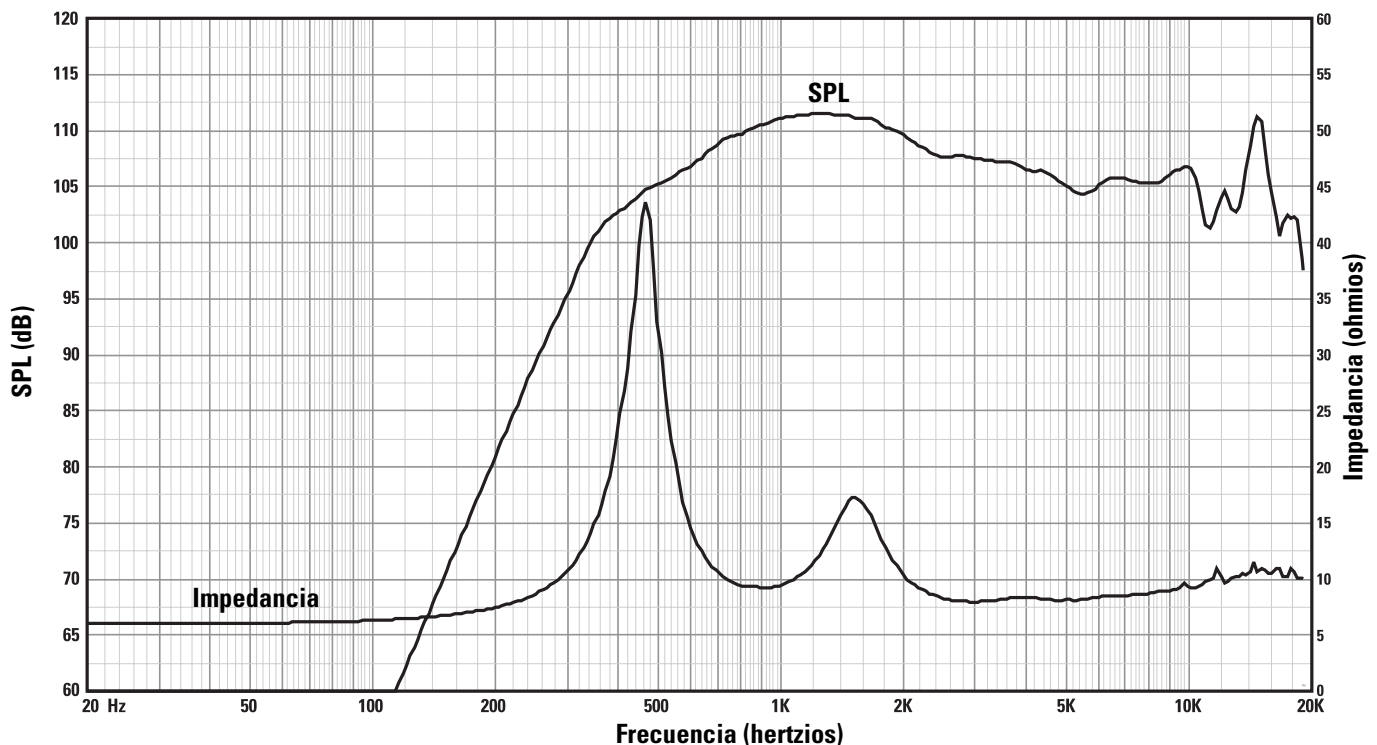
Los terminales de SALIDA de HF se conectan en fábrica al excitador de compresión. Estos terminales SÓLO se deben conectar al excitador de compresión del HF-75.



## **Especificaciones del sistema HF-75 (sujetas a cambio sin previo aviso)**

<b>Intervalo de frecuencias:</b>	600 – 16 kHz (-6 dB, espacio completo)
<b>Cobertura nominal:</b>	90° horizontal X +15° a -35° vertical (50° total), el montaje ajustable permite ajustes en el plano vertical. El plano horizontal se puede ajustar alterando la posición de montaje de la caja del LF-4215 antes de apretar los pernos.
<b>DI:</b>	9.0 dB (600 a 16,000 Hertzios como promedio)
<b>Q:</b>	8.0 (600 a 16,000 Hertzios como promedio)
<b>Salida máxima:</b>	Pico calculado de SPL: 133 dB, 1 metro, medio espacio
<b>Impedancia:</b>	8 ohmios, nominal 8.0 ohmios como mínimo a 3,000 Hertzios 104 ohmios como máximo a 475 Hertzios
<b>Potencia máxima de entrada:</b>	60 vatios rms (100 horas de ruido rosa con factor de cresta de 6 dB, 500 a 20,000 Hertzios, método IEC) 80 vatios rms (2 horas de ruido rosa con factor de cresta de 6 dB, 60 -6.000 Hertzios, método AES)
<b>Sensibilidad:</b>	108 dB medio espacio, 1 vatio, 1 metro
<b>Frecuencia de cruce:</b>	700 Hertzios o más, 24 dB por octava
<b>Conectores:</b>	Los terminales de tornillo de barra protectora aceptan alambre trenzado de hasta #10 AWG . Cuatro terminales: (dos de ENTRADA de HF y dos de SALIDA de HF de post compensación). La SALIDA de HF se conecta en fábrica al excitador de compresión.
<b>Transductores:</b>	1.5" (38 mm) salida, 3.0" (76 mm) excitador de compresión con diafragma de titanio
<b>Herraje de montaje:</b>	Se conecta en la parte superior del gabinete del sistema de baja frecuencia mediante tres pernos de 5/16" -18 x 3/4" de largo.
<b>Tamaño:</b>	30" de ancho X 16" de alto X 20" de profundidad (762 mm X 406 mm X 508 mm)
<b>Peso:</b>	50 libras (envío), 40 libras (neto, 22.7/18.4 kilogramos)

**SPL e impedancia en función de la frecuencia**



## **Garantía (sólo para EE.UU.; para otros países, consulte con su vendedor o distribuidor)**

### **Renuncia de responsabilidad**

QSC Audio Products, Inc. no es responsable por ningún daño a los amplificadores, ni a ningún otro equipo que sea causado por negligencia o instalación y/o uso inadecuado de este altavoz.

### **Garantía limitada de 3 años de QSC Audio Products**

QSC Audio Products, Inc. ("QSC") garantiza que sus productos estarán libres de materiales y/o mano de obra defectuosos por un periodo de tres (3) años a partir de la fecha de la venta, y reemplazará las piezas defectuosas y reparará los productos que funcionen mal bajo esta garantía cuando el defecto ocurra bajo condiciones normales de instalación y uso, siempre y cuando la unidad se devuelva a nuestra fábrica o a una de nuestras estaciones autorizadas de servicio mediante transportación prepagada con una copia del comprobante de compra (por ejemplo, el recibo de la compra). Esta garantía requiere que el examen del producto devuelto indique, en nuestra opinión, un defecto de fabricación. Esta garantía no se extiende a ningún producto que hubiera estado sometido a uso indebido, negligencia, accidente, instalación incorrecta, o en el que se hubiera quitado o modificado el código de la fecha. QSC tampoco será responsable por daños incidentales y/o emergentes. Esta garantía le otorga derechos legales específicos. Esta garantía limitada es libremente transferible durante el periodo de la misma.

El cliente podría gozar de derechos adicionales, que podrían variar de un estado a otro.

En caso de que este producto fuera fabricado para exportación y venta fuera de los Estados Unidos o sus territorios, entonces no será aplicable esta garantía limitada. La eliminación del número de serie en este producto, o la compra de este producto de un distribuidor no autorizado, anularán esta garantía limitada. Esta garantía se actualiza periódicamente. Para obtener la versión más reciente de la declaración de la garantía de QSC, por favor visite [www.qscaudio.com](http://www.qscaudio.com). Comuníquese con nosotros al 800-854-4079 o visite nuestro sitio en Internet en [www.qscaudio.com](http://www.qscaudio.com).

## **Cómo comunicarse con QSC Audio Products**

Dirección postal: QSC Audio Products, Inc.  
1675 MacArthur Boulevard  
Costa Mesa, CA 92626-1468 EE.UU.

Números de teléfono:

Número principal +1 (714) 754-6175

Ventas y comercialización +1 (714) 957-7100 o gratis (sólo EE.UU.) +1 (800) 854-4079

Servicio al cliente +1 (714) 957-7150 o gratis (sólo EE.UU.) +1 (800) 772-2834

Números de fax:

Fax de ventas y comercialización +1 (714) 754-6174

Fax de servicio al cliente +1 (714) 754-6173

World Wide Web: [www.qscaudio.com](http://www.qscaudio.com)

Correo electrónico: [info@qscaudio.com](mailto:info@qscaudio.com)

[service@qscaudio.com](mailto:service@qscaudio.com)





1675 MacArthur Blvd., Costa Mesa, CA, 92626 EE.UU.

Número principal (714) 754-6175 Ventas y Comercialización (714) 957-7100 o línea sin costo (sólo para EE.UU.) (800) 854-4079

Servicio al cliente (714) 957-7150 o gratis (sólo EE.UU.) (800) 772-2834

## Manual del usuario de los sistemas de altavoces para salas de cine

### Altavoz de baja frecuencia **LF-4115**

#### Introducción

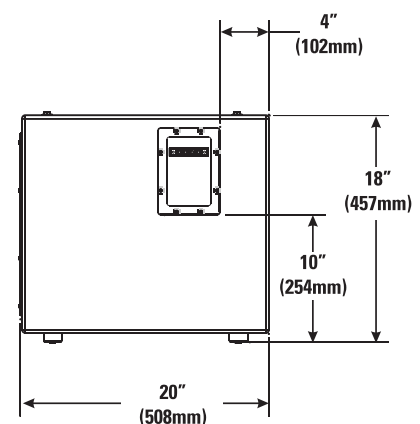
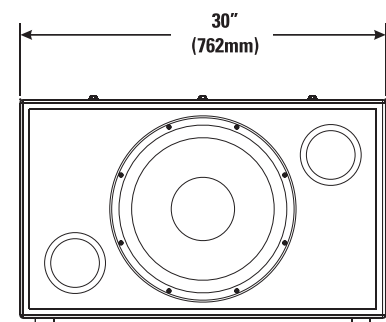
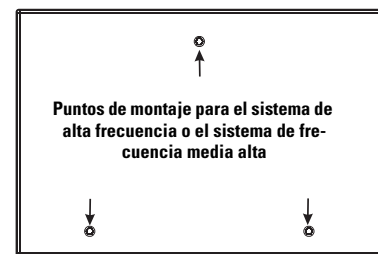
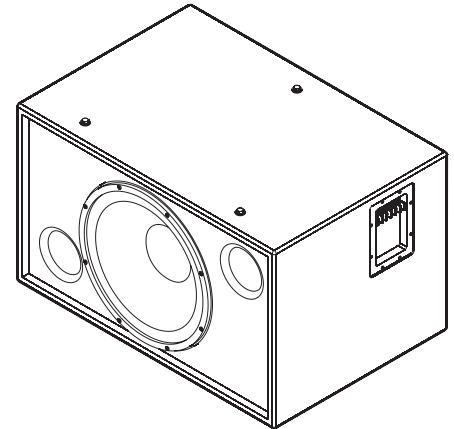
La caja de baja frecuencia de 15" (381 mm) del altavoz LF-4115 está diseñada específicamente para aplicaciones cinematográficas. El cumplimiento de los requisitos de las aplicaciones cinematográficas referentes a una respuesta extendida de baja frecuencia, es lo que distingue al altavoz LF-4115 de otros sistemas woofer tipo "rock-and-roll" más convencionales. El altavoz LF-4115 cubre un intervalo de frecuencia de 33 Hertzios a 1200 Hertzios, dependiendo de los requisitos del sistema de alta frecuencia.

El transductor adaptado de 400 vatios y 15" se desarrolló específicamente para su uso en salas de cine. Cuenta con una bobina de voz de 4" (100 mm), un imán cerámico de 120 onzas (3.4 kg) y un polo multiventilado para asegurar una operación fría. Las temperaturas más frías aumentan la vida útil del transductor y disminuyen el problema de compresión de la potencia a niveles altos de potencia. Un polo proyectado asegura que la bobina de voz opere en un campo magnético simétrico, reduciendo la deformación armónica de segundo orden. La suspensión y la bobina de voz del transductor se han diseñado para brindar una baja distorsión y graves de alto impacto a alta potencia.

La caja está construida de paneles de cartón duro mediano de alta calidad con soportes de refuerzo en los seis paneles. Ambas aberturas del puerto, la interna y la externa, están totalmente redondeadas, lo cual asegura un flujo de aire uniforme a mayores niveles de potencia, evitando turbulencia audible en el puerto.

Los puertos de graves están separados simétricamente a cada lado del transductor, haciendo que la presión interna sea más uniforme a través de la superficie posterior del transductor. Esto evita que el cono sea desplazado de un lado a otro por fuerzas no equilibradas, reduciendo la probabilidad de impulsar la bobina de voz fuera del centro del espacio a altos niveles de potencia.

Tres tuercas en T en la parte superior de la caja permiten el montaje fácil del sistema de alta frecuencia HF-75 o del sistema de frecuencia media alta MH-1063, ambos de QSC.



**La caja no está diseñada para montarse suspendida, en voladizo ni sobre arneses. No suspenda esta caja, no la monte en voladizo ni sobre arneses.**

**Este producto es capaz de producir niveles de presión del sonido que pueden causar daños permanentes al oído humano. Siempre mantenga los niveles de presión del sonido en un área de audición con un nivel menor que el que provoca daños al oído humano.**

**Instale de acuerdo con las instrucciones de QSC Audio Products y de un ingeniero profesional con la debida licencia. Sólo use piezas, montajes, accesorios O soportes especificados por QSC Audio Products, Inc. Refiera todo el servicio a personal calificado. Cuando el aparato haya sido dañado de alguna manera, es necesario proporcionarle servicio.**



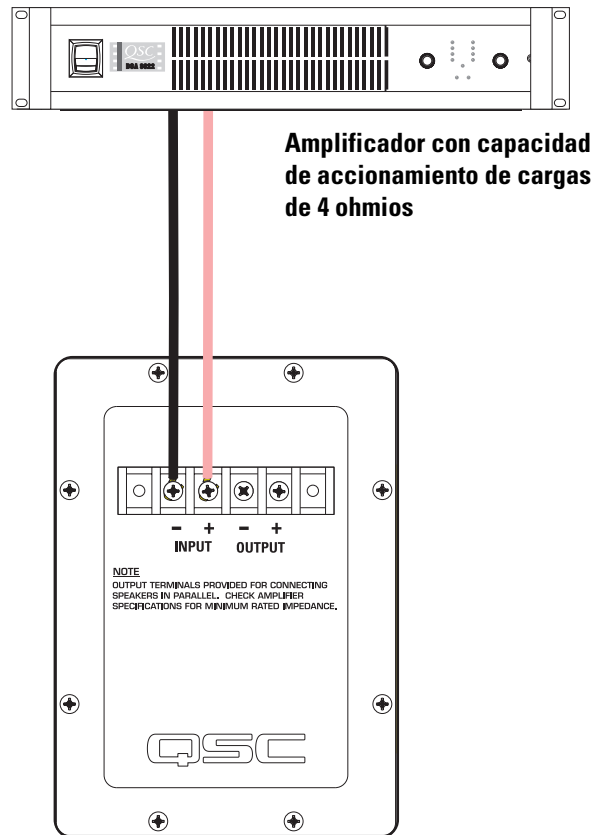
**¡ADVERTENCIA! Antes de colocar, instalar, montar o suspender cualquier producto de altavoz, inspeccione todo el equipo físico, la suspensión, los armarios, los transductores, los soportes y el equipo asociado para detectar la existencia de daños. Cualquier componente faltante, corroído, deformado, o sin carga nominal podría reducir significativamente la resistencia de la instalación, la colocación o la configuración. Cualquier condición de este tipo reduce gravemente la seguridad de la instalación y debe corregirse de inmediato. Use sólo herraje que esté clasificado para las condiciones de carga de la instalación y cualquier posible carga excesiva a corto plazo inesperada. Nunca exceda el valor nominal del equipo físico ni del dispositivo. Consulte a un ingeniero profesional con la debida licencia cuando surjan dudas o preguntas referentes a la instalación física del equipo.**

## Conexiones

### Conexión normal

El altavoz LF-4115 tiene terminales de tornillo de barra protectora para su conexión. Los terminales aceptan cableado trenzado de hasta #10 AWG (5.3 mm<sup>2</sup>) para altavoces. Use el alambre del calibre más grande y de la longitud más corta posible en cualquier instalación. Observe las marcas de polaridad y mantenga la polaridad uniforme en todo el sistema para obtener el mejor rendimiento.

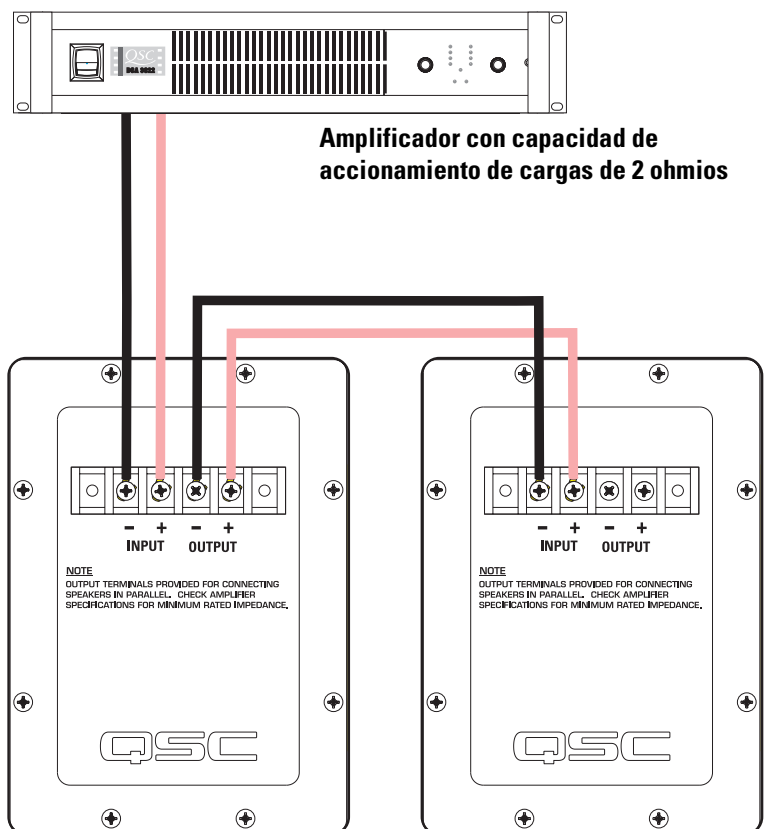
### Ejemplo de una conexión normal:



### Conexión en paralelo de un segundo LF-4115

Los terminales marcados **SALIDA** se pueden usar para conectar en paralelo otro altavoz LF-4115. Conecte los cables como se muestra en la ilustración, a la derecha.

### Ejemplo de conexión en paralelo:

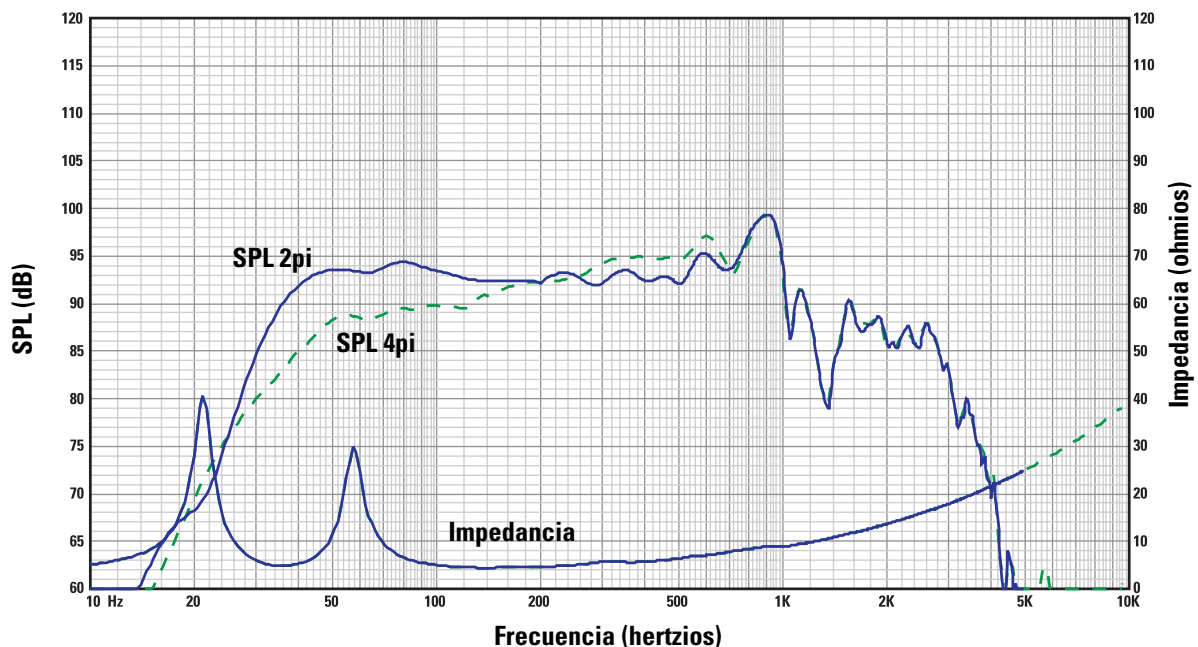




## **Especificaciones del sistema LF-4115 (sujetas a cambio sin previo aviso)**

<b>Intervalo de frecuencias:</b>	33 - 1200 Hertzios (-6dB) Intervalo utilizable de 29 - 3000 Hertzios (-10 dB)
<b>Cobertura nominal:</b>	100° horizontal X 100° vertical a 1000 Hertzios
<b>Salida máxima:</b>	Pico calculado de SPL: 127.0 dB, 1 metro, medio espacio, a una potencia rms nominal con entrada de ruido rosa con factor de cresta de 6 dB, 35 - 1000 Hertzios. Máximo calculado continuo de SPL: 121.0 dBA, 1 metro. La escala de dBA típicamente se usa para identificar fuentes de sonido que pueden causar pérdida auditiva permanente.
<b>Impedancia:</b>	4 ohmios, nominal 4.3 ohmios mínimo, 160 Hertzios 40 ohmios máximo, 22 Hertzios
<b>Potencia máxima de entrada:</b>	400 vatios rms (8 horas de ruido rosa con factor de cresta de 6 dB, 40 - 400 Hertzios) 600 vatios rms (2 horas de ruido rosa con factor de cresta de 6 dB, 40 - 400 Hertzios) Capacidad recomendada de potencia del amplificador: 1100 vatios rms como máximo en 4 ohmios (por LF-4115)
<b>Sensibilidad:</b>	93.5 dB medio espacio, 92.0 dB espacio completo, 35 - 1000 Hertzios, 1 vatio, 1 metro
<b>Procesamiento recomendado:</b>	Filtro subsónico menor de 30 Hertzios, >18 dB por octava, la frecuencia máxima de cruce recomendada es de 1000 Hertzios. Las configuraciones DSP de QSC están disponibles en <a href="http://www.qscaudio.com">www.qscaudio.com</a> . Los parámetros para el herraje de procesamiento alternativo están disponibles si así se solicitan.
<b>Conectores:</b>	Los terminales de tornillo de barra protectora aceptan alambre trenzado de hasta #10 AWG (5.3 mm <sup>2</sup> ). Cuatro terminales: (dos de ENTRADA y dos de SALIDA paralela).
<b>Transductores:</b>	Transductor de baja frecuencia de alta eficiencia, de 15" (381 mm), con bobina de voz de cobre de 4" (100 mm) ventilada, en soportes de Kapton®. Diseño de alta excursión/baja deformación, con un manejo de potencia extremadamente alta, y baja compresión térmica y de puerto.
<b>Caja:</b>	Alineación Quasi B4, caja con puertos totalmente abocinados, diseño de puerto simétrico de baja turbulencia, afinado a 36 Hertzios, construido de cartón duro de media densidad y fuertemente soportado. Tiene pernos de montaje del woofer resistentes al vandalismo.
<b>Tamaño:</b>	30" de ancho X 18" de alto X 20" de profundidad (762 mm X 457 mm X 508 mm)
<b>Peso:</b>	96 libras envío, 83 libras neto (44/38 kg.)

**SPL e impedancia en función de la Frecuencia**



## **Garantía (sólo para EE.UU.; para otros países, consulte con su vendedor o distribuidor)**

### **Renuncia de responsabilidad**

QSC Audio Products, Inc. no es responsable por ningún daño a los amplificadores, ni a ningún otro equipo que sea causado por negligencia o instalación y/o uso inadecuado de este altavoz.

### **Garantía limitada de 3 años de QSC Audio Products**

QSC Audio Products, Inc. ("QSC") garantiza que sus productos estarán libres de materiales y/o mano de obra defectuosos por un periodo de tres (3) años a partir de la fecha de la venta, y reemplazará las piezas defectuosas y reparará los productos que funcionen mal bajo esta garantía cuando el defecto ocurra bajo condiciones normales de instalación y uso, siempre y cuando la unidad se devuelva a nuestra fábrica o a una de nuestras estaciones autorizadas de servicio mediante transportación prepagada con una copia del comprobante de compra (por ejemplo, el recibo de la compra). Esta garantía requiere que el examen del producto devuelto indique, en nuestra opinión, un defecto de fabricación. Esta garantía no se extiende a ningún producto que hubiera estado sometido a uso indebido, negligencia, accidente, instalación incorrecta, o en el que se hubiera quitado o modificado el código de la fecha. QSC tampoco será responsable por daños incidentales y/o emergentes. Esta garantía le otorga derechos legales específicos. Esta garantía limitada es libremente transferible durante el período de la misma.

El cliente podría gozar de derechos adicionales, que podrían variar de un estado a otro.

En caso de que este producto fuera fabricado para exportación y venta fuera de los Estados Unidos o sus territorios, entonces no será aplicable esta garantía limitada. La eliminación del número de serie en este producto, o la compra de este producto de un distribuidor no autorizado, anularán esta garantía limitada. Esta garantía se actualiza periódicamente. Para obtener la versión más reciente de la declaración de la garantía de QSC, por favor visite [www.qscaudio.com](http://www.qscaudio.com). Comuníquese con nosotros al 800-854-4079 o visite nuestro sitio en Internet en [www.qscaudio.com](http://www.qscaudio.com).

## **Cómo comunicarse con QSC Audio Products**

Dirección postal: QSC Audio Products, Inc.  
1675 MacArthur Boulevard  
Costa Mesa, CA 92626-1468 EE.UU.

Números de teléfono:

Número principal +1 (714) 754-6175

Ventas y comercialización +1 (714) 957-7100 o gratis (sólo EE.UU.) +1 (800) 854-4079

Servicio al cliente +1 (714) 957-7150 o gratis (sólo EE.UU.) +1 (800) 772-2834

Números de fax:

Fax de ventas y comercialización +1 (714) 754-6174

Fax de servicio al cliente +1 (714) 754-6173

World Wide Web: [www.qscaudio.com](http://www.qscaudio.com)

Correo electrónico: [info@qscaudio.com](mailto:info@qscaudio.com)

[service@qscaudio.com](mailto:service@qscaudio.com)





1675 MacArthur Blvd., Costa Mesa, CA 92626

Téléphone (standard) +1 (714) 754-6175 Ventes et Marketing +1 (714) 957-7100

ou +1 (800) 854-4079 (numéro vert valable aux États-Unis seulement)

Service clientèle +1 (714) 957-7150 ou numéro vert (États-Unis seulement) +1 (800) 772-2834

## Manuel d'utilisation de systèmes de haut-parleurs de cinéma

# Composant haute fréquence HF-75

### Introduction

Le HF-75 est le composant haute fréquence des haut-parleurs de canaux d'écran bi-amplifié et bidirectionnel SC-412 et SC-422 pour applications haute performance en salles de cinéma. Ce système est expédié sous la forme de deux composants séparés : le système haute fréquence HF-75 et le système de haut-parleurs de graves de LF-4115 ou LF-4215.

Le système haute fréquence HF-75 a un étage d'attaque de compression à membrane en titane grand format (75 mm) monté sur un pavillon acoustique haute fréquence de cinéma avec un support réglable panoramique et basculant. Le pavillon acoustique a de larges angles de couverture horizontaux et verticaux pour garantir l'audition depuis chaque fauteuil de la salle. Le pavillon acoustique est un guide d'ondes basse distorsion permettant un dialogue très clair sans l'effet ronflant associé aux haut-parleurs à pavillon acoustique conventionnels.

Le HF-75 inclut une protection d'étage d'attaque et un réseau d'égalisation. Des condensateurs qui bloquent le courant c.c. protègent contre les signaux c.c. ou basse fréquence qui détruiraient probablement un étage d'attaque sans protection. Le circuit du limiteur de puissance protège l'étage d'attaque d'une surpuissance et un filtre de correction de réponse lisse la réponse en fréquence de l'ensemble pavillon acoustique/étage d'attaque. L'étage d'attaque et le réseau d'égalisation fournissent un fonctionnement plus fiable qui garantit l'ininteruption de la séance.

Les composants du HF-75 sont livrés pré-assemblés pour réduire le temps d'assemblage sur site. Trois boulons suffisent pour fixer le HF-75 sur le dessus de l'enceinte basse fréquence.

### Montage

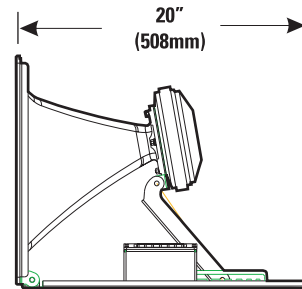
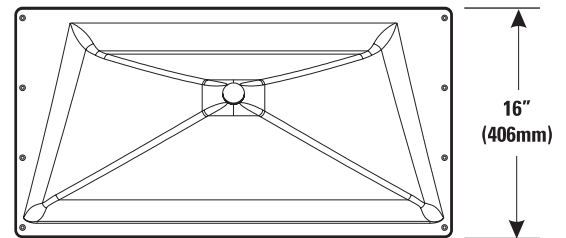
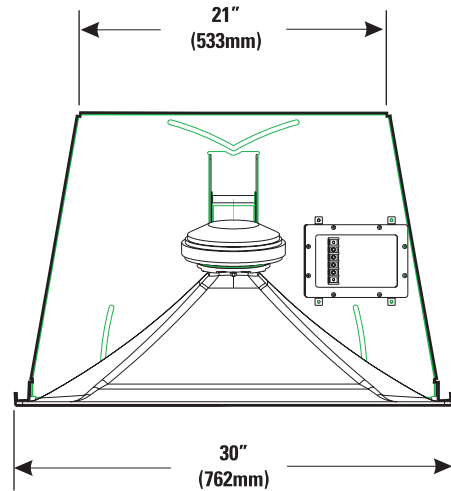
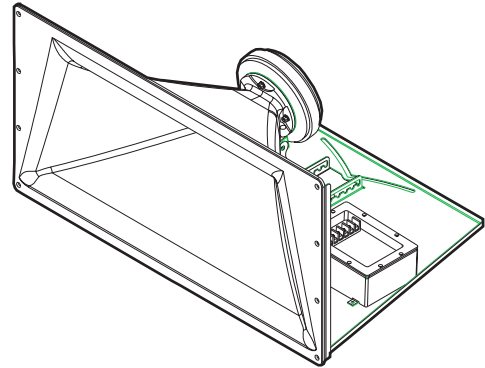
Pour les informations de montage, se reporter à l'illustration. Le HF-75 s'attache sur le dessus du LF-4115 ou du LF-4215 à l'aide de trois boulons 5/16-18 de 19 mm de long et des rondelles d'arrêt correspondantes. Nous recommandons l'utilisation d'une graisse pour filetage lors de l'installation des boulons pour empêcher leur desserrage suite aux vibrations. Orienter le pavillon acoustique dans le plan horizontal (panoramique) avant de serrer. Ajuster l'inclinaison verticale en réglant le support.



**Installer conformément aux instructions de QSC Audio Products et d'un technicien professionnel diplômé. Utiliser uniquement des fixations, supports, accessoires ou équerres spécifiés par QSC Audio Products. Confier toutes les réparations à un personnel qualifié. Une réparation ou maintenance est requise lorsque l'appareil a été endommagé d'une manière quelconque.**



**AVERTISSEMENT ! Avant de placer, installer, monter ou suspendre un haut-parleur, inspecter l'état de toute la visserie, du matériel de suspension, des armoires, des transducteurs, des supports et du matériel associé. Tout composant manquant, corrodé, déformé ou non adapté à la charge risque de réduire sensiblement la solidité de l'installation, sa mise en place ou sa portée. Une telle condition réduit sensiblement la sécurité de l'installation et doit être immédiatement corrigée. Utiliser uniquement du matériel de montage prévu pour les conditions de charge de l'installation et toute surcharge éventuelle à court terme imprévue. Ne jamais dépasser les spécifications nominales du matériel de montage ou de l'équipement. Consulter un technicien professionnel diplômé en cas de doute ou de question concernant l'installation physique de l'équipement.**



## Branchements

Le HF-75 a des bornes vissables de bornier à cloisons qui acceptent des conducteurs de haut-parleurs toronnés pouvant atteindre #10 AWG.

### Bornes HF INPUT (Entrée HF)

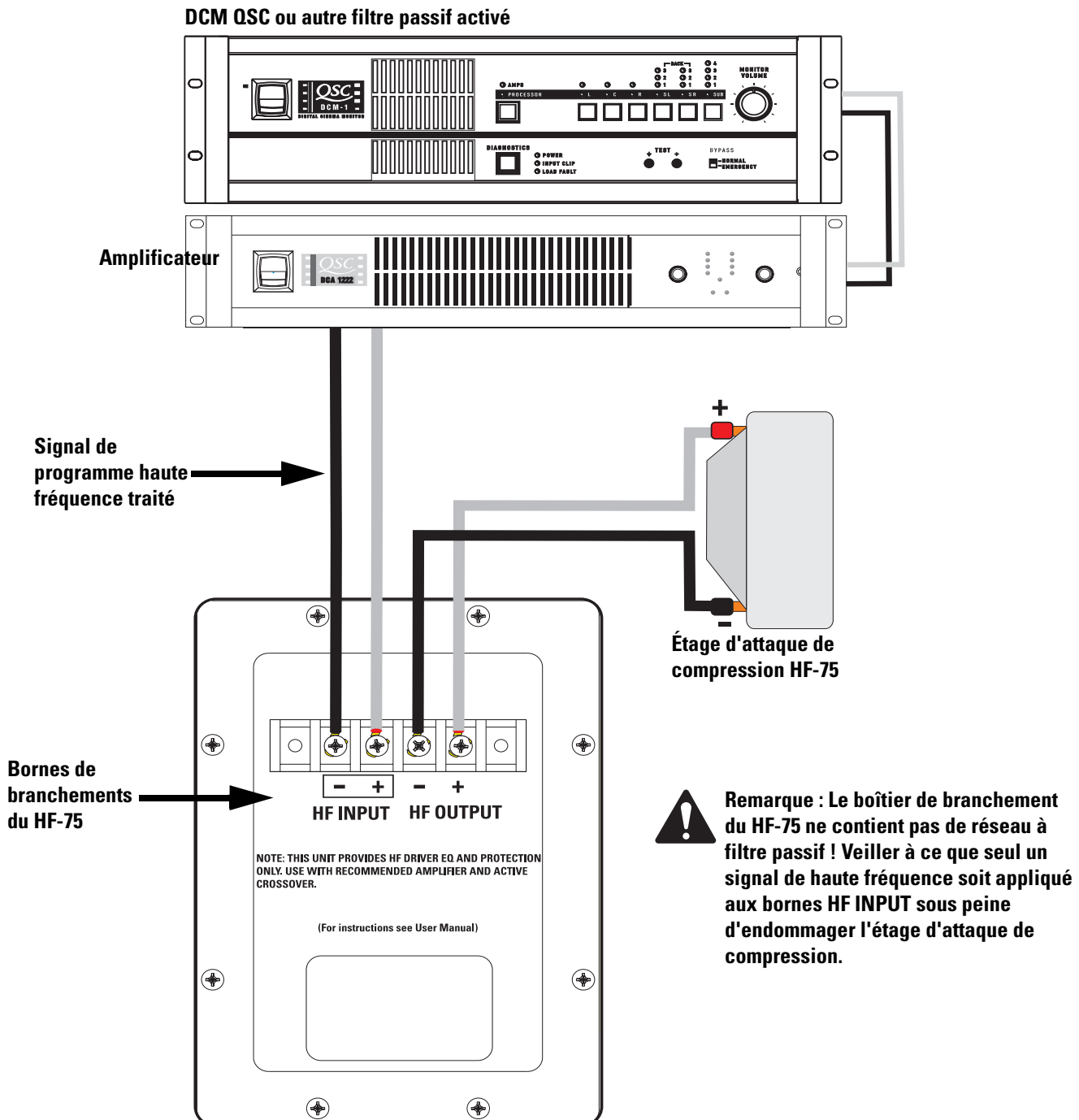
Connecter le signal de sortie de l'amplificateur aux bornes HF INPUT du haut-parleur. Vérifier si la polarité est correcte : signal + de l'amplificateur connecté à HF INPUT + du haut-parleur et signal - de l'amplificateur connecté à HF INPUT -. Utiliser des conducteurs de calibre maximal et de longueur minimale pour l'application.



**REMARQUE ! Pour une performance maximum, maintenir la polarité de branchement correcte à travers l'ensemble du système. Ne pas appliquer de signal pleine gamme au HF-75 ! Le HF-75 n'est équipé d'aucun filtre passif, seulement d'un réseau de délai/compensation. L'ensemble du traitement des signaux doit se faire en amont du HF-75.**

### Bornes HF OUTPUT (Sortie HF)

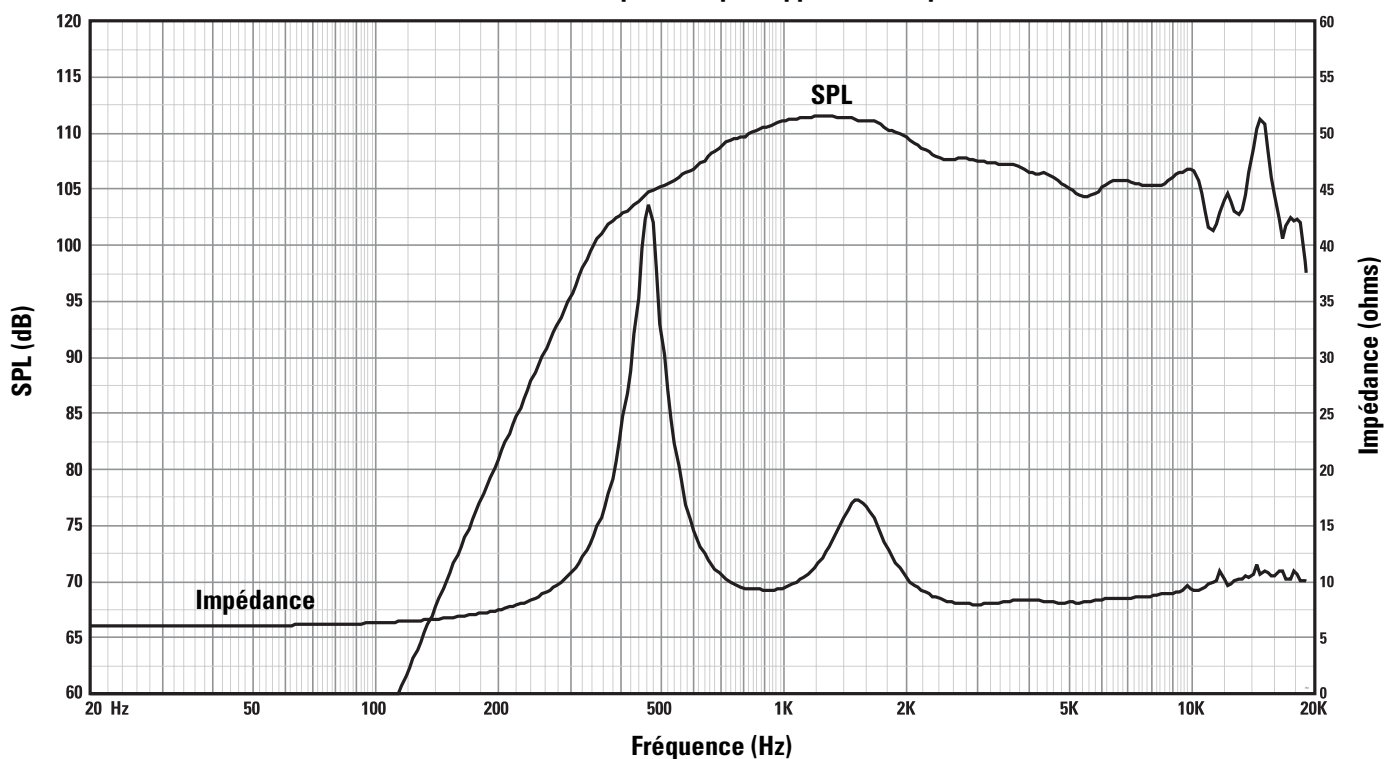
Les bornes HF OUTPUT sont connectées en usine à l'étage d'attaque de compression. Ces bornes doivent UNIQUEMENT être connectées à l'étage d'attaque de compression du HF-75.



## Caractéristiques techniques du HF-75 (sujettes à modification sans préavis)

<b>Plage de fréquence :</b>	600 à 16 kHz (-6 dB, espacement total)
<b>Couverture nominale :</b>	90° horizontale x +15 à -35° verticale (50° au total ; le support réglable permet les ajustements dans le plan vertical.). Le plan horizontal se règle en modifiant la position de montage sur l'enceinte LF-4215 avant de serrer les boulons.
<b>Indice de directivité :</b>	9 dB (600 à 16 000 Hz en moyenne)
<b>Q :</b>	8 (600 à 16 000 Hz en moyenne)
<b>Sortie maximale :</b>	Niveau de pression sonore maximal calculé de 133 dB, à 1 m, demi-espacement.
<b>Impédance :</b>	8 ohms (nominale) 8 ohms minimum à 3 000 Hz 104 ohms maximum à 475 Hz
<b>Puissance d'entrée maximale :</b>	60 W (efficace) (100 heures de bruit rose de facteur de crête 6 dB, 500 à 20 000 Hz, méthode CEI) 80 W (efficace) (2 heures de bruit rose de facteur de crête 6 dB, 60 à 6 000 Hz, méthode AES)
<b>Sensibilité :</b>	108 dB, demi-espacement, 1 W, 1 m
<b>Fréquence de filtre passif :</b>	700 Hz ou plus, 24 dB par octave
<b>Connecteurs :</b>	Les bornes acceptent des câbles de haut-parleurs toronnés pouvant atteindre #10 AWG. Quatre bornes : (deux bornes HF INPUT et deux borne HF OUTPUT de post-compensation). Les bornes HF OUTPUT sont câblées en usine à l'étage d'attaque de compression.
<b>Transducteurs :</b>	Sortie de 38 mm, étage d'attaque de compression à membrane titane de 76 mm.
<b>Fixations :</b>	S'attache sur le dessus de boîtier basse fréquence par trois boulons 5/16-18 x 1,9 m de long.
<b>Dimensions :</b>	762 mm (largeur) x 406 mm (hauteur) x 508 mm (épaisseur)
<b>Poids brut :</b>	22,7 kg. Poids net : 18,4 kg

**SPL et impédance par rapport à la fréquence**



## **Garantie (États-Unis seulement ; dans les autres pays, consulter le revendeur ou le distributeur)**

### **Avis de non-responsabilité**

QSC Audio Products, Inc. n'est pas responsable des dommages subis par les amplificateurs ou tout autre équipement causé par un acte de négligence ou une installation impropre et/ou l'utilisation de ce haut-parleur.

### **QSC Audio Products - Garantie limitée de 3 ans**

QSC Audio Products, Inc. (« QSC ») garantit que ses produits sont dépourvus de tout vice de fabrication et/ou de matériel pendant une période de trois (3) ans à partir de la date de vente et remplacera les pièces défectueuses et réparera les produits qui fonctionnent mal dans le cadre de cette garantie si le défaut survient dans des conditions normales d'installation et d'utilisation - à condition que l'appareil soit retourné à l'usine ou à l'un de nos centres de réparation agréés en port prépayé, accompagné d'un justificatif d'achat (facture, par ex.). Cette garantie prévoit que l'examen du produit retourné doit indiquer, selon notre jugement, un défaut de fabrication. Cette garantie ne s'étend à aucun produit qui a été soumis à une utilisation abusive, un acte de négligence, un accident, une installation incorrecte ou un produit dont le code-date a été retiré ou effacé. QSC ne pourra être tenue pour responsable de dommages accessoires et/ou indirects. Cette garantie vous accorde des droits spécifiques. Cette garantie limitée est librement cessible durant sa période de validité.

Le client pourra bénéficier d'autres droits, variables d'une juridiction à l'autre.

Si ce produit a été fabriqué pour une exportation et une vente en dehors des États-Unis ou de ses territoires, cette garantie limitée ne s'appliquera pas. Le retrait du numéro de série sur ce produit ou l'achat de ce produit auprès d'un revendeur non agréé annulera cette garantie limitée. Cette garantie est régulièrement mise à jour. Pour obtenir la toute dernière version de la garantie de QSC, rendez-vous sur le site [www.qscaudio.com](http://www.qscaudio.com). Contactez-nous au 800-854-4079 ou visitez notre site Web [www.qscaudio.com](http://www.qscaudio.com).

## **Pour contacter QSC Audio Products**

Adresse postale : QSC Audio Products, Inc.  
1675 MacArthur Boulevard  
Costa Mesa, CA 92626-1468, États-Unis

Téléphone :

Standard +1 (714) 754-6175

Ventes & Marketing +1 (714) 957-7100 ou numéro vert (États-Unis seulement) +1 (800) 854-4079

Service clientèle +1 (714) 957-7150 ou numéro vert (États-Unis seulement) +1 (800) 772-2834

Télécopieur :

Ventes & Marketing Télécopieur +1 (714) 754-6174

Service clientèle Télécopieur +1 (714) 754-6173

Site Web : [www.qscaudio.com](http://www.qscaudio.com)

E-mail : [info@qscaudio.com](mailto:info@qscaudio.com)

[service@qscaudio.com](mailto:service@qscaudio.com)





1675 MacArthur Blvd., Costa Mesa, CA 92626

Téléphone (standard) +1 (714) 754-6175 Ventes et Marketing +1 (714) 957-7100

ou +1 (800) 854-4079 (numéro vert valable aux États-Unis seulement)

Service clientèle +1 (714) 957-7150 ou numéro vert (États-Unis seulement) +1 (800) 772-2834

## Manuel d'utilisation de systèmes de haut-parleurs de cinéma

# Haut-parleur basse fréquence **LF-4115**

### Introduction

L'enceinte basse fréquence de 381 mm LF-4115 a été tout spécialement conçue pour les applications en salle de cinéma. Les exigences des cinémas en matière de réponse longue durée basse fréquence différencient le LF-4115 des systèmes de haut-parleurs de graves « rock-and-roll » plus conventionnels. Le LF-4115 couvre la plage de fréquence de 33 à 1 200 Hz, selon les exigences de haute fréquence du système.

Le transducteur personnalisé de 38 cm et 400 W a été spécialement développé pour un usage en salles de cinéma. Il possède une bobine mobile de 100 mm, un aimant en céramique de 3,4 kg et un pôle à événements multiples pour garantir l'absence de surchauffe. Les températures inférieures augmentent la durée de vie des transducteurs et diminuent le problème de compression de puissance à de hauts niveaux de puissance. Un pôle évidé garantit le fonctionnement des bobines mobiles dans un espace magnétique symétrique, ce qui réduit la distorsion harmonique secondaire. La suspension et la bobine mobile du transducteur visent à produire une faible distorsion et des graves à fort impact à haute puissance.

L'enceinte est faite de panneaux de fibres de densité moyenne et de haute qualité avec des renforts sur les six panneaux. Les ouvertures internes et externes des ports sont entièrement arrondies, garantissant la circulation d'air uniforme à haute puissance, ce qui empêche les turbulences sonores.

Les ports à basses sont équidistants de part et d'autre du transducteur, ce qui répartit uniformément la pression interne à travers la surface arrière du transducteur. Ceci empêche le déplacement du cône d'un côté ou de l'autre par des forces déséquilibrées, ce qui réduit le risque d'excentrage de la bobine mobile à haute puissance.

Trois écrous en T sur le dessus de l'enceinte facilitent la fixation du système haute fréquence HF-75 ou du système sonore de hauteur moyenne MH-1063 de QSC.



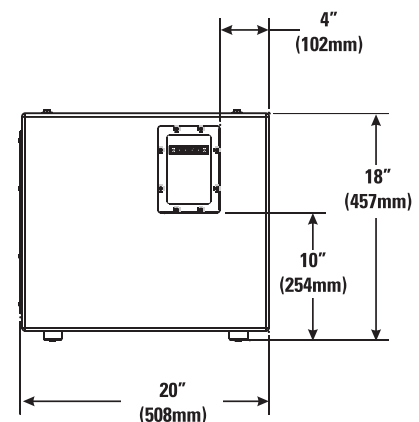
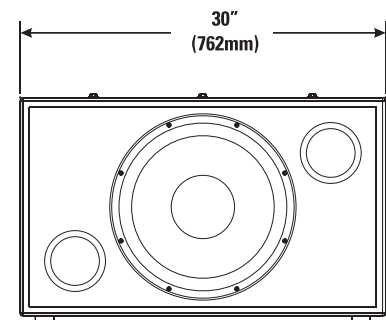
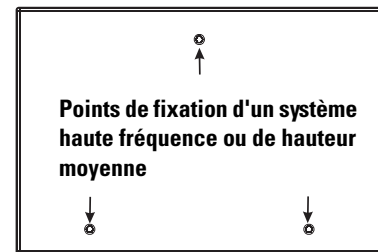
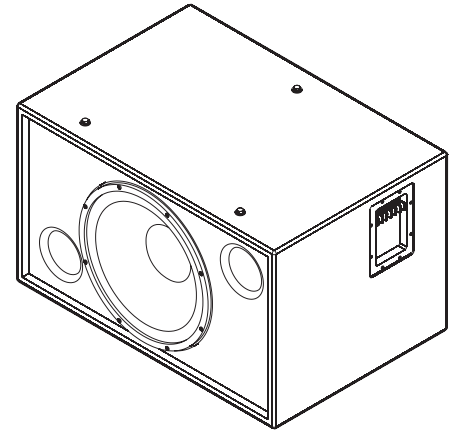
**L'enceinte n'a pas été conçue pour être suspendue, balancée ou montée. La suspension, le balancement ou le montage de l'enceinte sont interdits.**

**Ce produit est capable de produire des niveaux de pression sonore susceptibles d'endommager l'ouïe de manière irréversible. Toujours maintenir les niveaux de pression sonore dans la zone d'écoute en deçà de niveaux susceptibles de compromettre l'ouïe.**

**Installer conformément aux instructions de QSC Audio Products et d'un technicien professionnel diplômé. Utiliser uniquement des fixations, supports, accessoires ou équerres spécifiés par QSC Audio Products. Confier toutes les réparations à un personnel qualifié. Une réparation ou maintenance est requise lorsque l'appareil a été endommagé d'une manière quelconque.**



**AVERTISSEMENT ! Avant de placer, installer, monter ou suspendre un haut-parleur, inspecter l'état de toute la visserie, du matériel de suspension, des armoires, des transducteurs, des supports et du matériel associé. Tout composant manquant, corrodé, déformé ou non adapté à la charge risque de réduire sensiblement la solidité de l'installation, sa mise en place ou sa portée. Une telle condition réduit sensiblement la sécurité de l'installation et doit être immédiatement corrigée. Utiliser uniquement du matériel de montage prévu pour les conditions de charge de l'installation et toute surcharge éventuelle à court terme imprévue. Ne jamais dépasser les spécifications nominales du matériel de montage ou de l'équipement. Consulter un technicien professionnel diplômé en cas de doute ou de question concernant l'installation physique de l'équipement.**

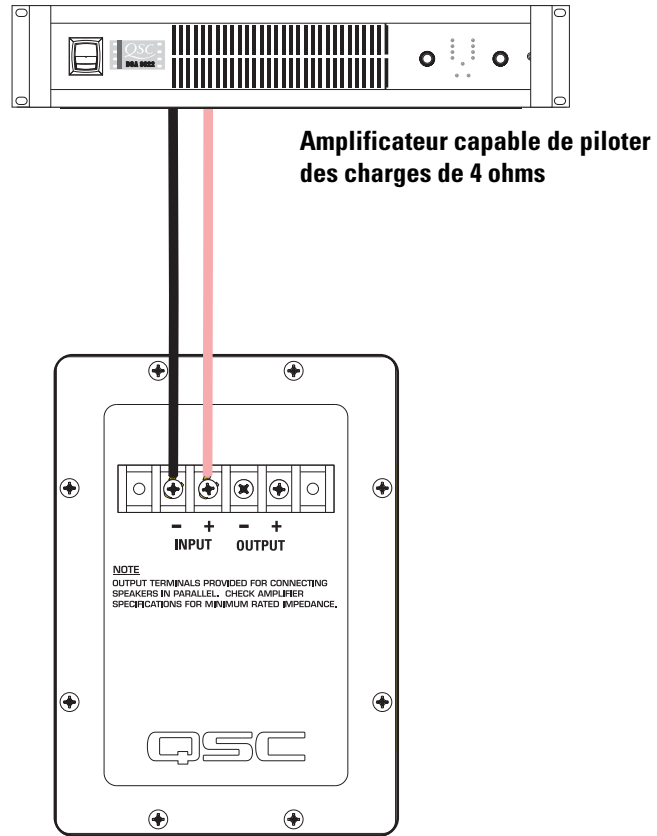


## Branchements

### Branchement normal

Le branchement du LF-4115 se fait à partir de bornes vissables de bornier à cloisons. Les bornes acceptent des câbles de haut-parleurs toronnés pouvant atteindre #10 AWG (5,3 mm<sup>2</sup>). Utiliser le calibre de conducteur maximal et la longueur de conducteur minimale, dans la mesure du possible, pour toute installation. Observer les repères de polarité et maintenir une polarité constante à travers le système pour une meilleure performance.

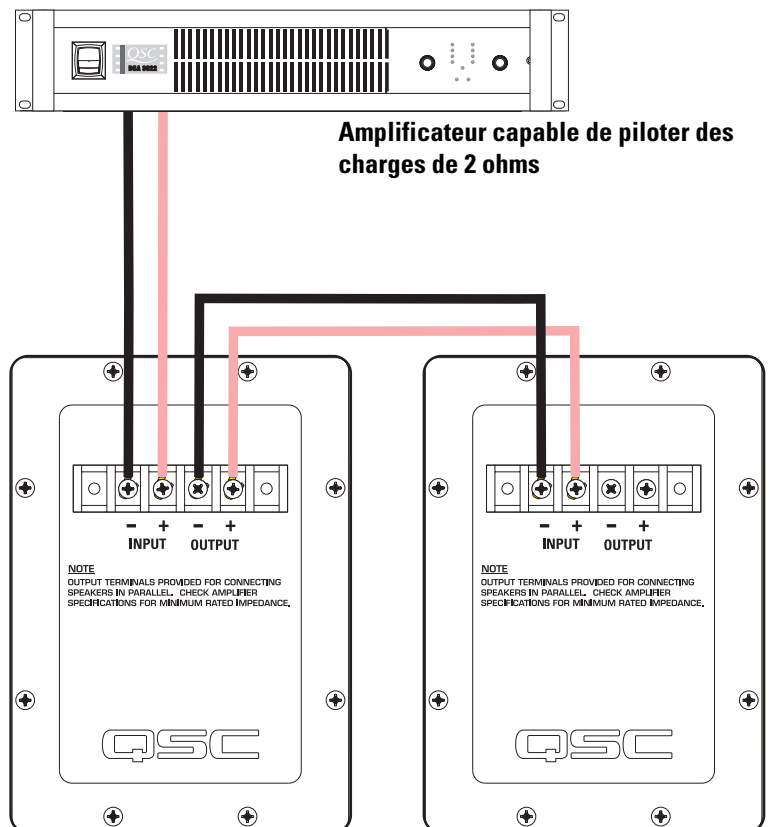
### Exemple de branchement normal :



### Branchement en parallèle d'un second LF-4115

Les bornes marquées **OUTPUT** peuvent servir au branchement d'un autre LF-4115 en parallèle. Brancher les conducteurs comme indiqué sur l'illustration, à droite.

### Exemple de branchement en parallèle :

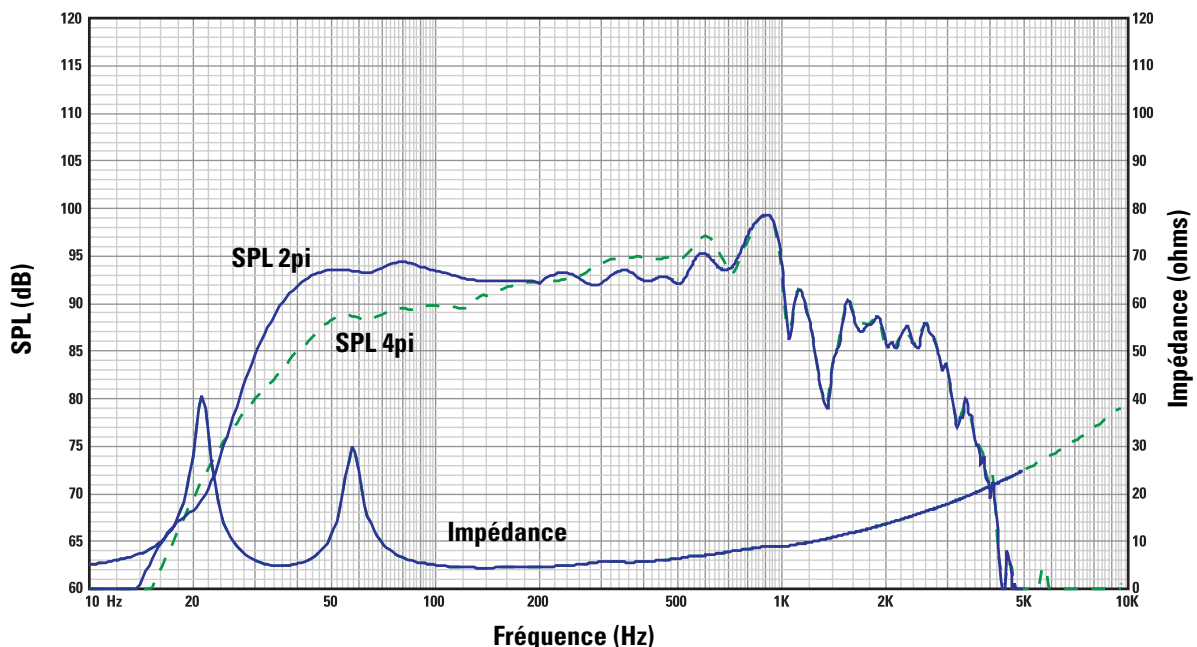




## Caractéristiques techniques du LF-4115 (sujettes à modification sans préavis)

<b>Plage de fréquence :</b>	33 à 1 200 Hz (-6 dB) 29 à 3 000 Hz (plage utile) (-10 dB)
<b>Couverture nominale :</b>	100° horizontal x 55° vertical à 1 000 Hz
<b>Sortie maximale :</b>	Niveau de pression sonore maximal calculé de 127 dB, à 1 m, demi-espacement, à la puissance nominale efficace avec 6 dB entrée de bruit rose de facteur de crête, 35 à 1000 Hz. Niveau de pression sonore maximal calculé continu de 121 dBA, à 1 mètre. L'échelle de dBA sert généralement à identifier les sources sonores susceptibles de causer une surdité permanente.
<b>Impédance :</b>	4 ohms, nominale 4,3 ohms minimale, 160 Hz 40 ohms maximale, 22 Hz
<b>Puissance d'entrée maximale :</b>	400 W (efficace) (8 heures de bruit rose de facteur de crête 6 dB, 40 à 400 Hz) 600 W (efficace) (2 heures de bruit rose de facteur de crête 6 dB, 40 à 400 Hz) Capacité de puissance d'amplificateur recommandée - 1 100 W (efficace) maximum dans 4 ohms (conformément au modèle LF-4115)
<b>Sensibilité :</b>	93,5 dB demi-espacement, 92 dB espacement total, 35 à 1 000 Hz, 1 W, 1 m
<b>Traitement recommandé :</b>	Filtre subsonique inférieur à 30 Hz, >18 dB par octave ; fréquence de filtre passif maximale recommandée : 1 000 Hz. Les configurations des processeurs de champs sonores numériques QSC sont disponibles sur le site <a href="http://www.qscaudio.com">www.qscaudio.com</a> . Les paramètres concernant d'autres matériels de traitement sont disponibles sur demande.
<b>Connecteurs :</b>	Les bornes acceptent des câbles de haut-parleurs toronnés à fil multibrin pouvant atteindre #10 AWG (5,3 mm <sup>2</sup> ). Quatre bornes : (deux d'entrée et deux de sortie parallèle).
<b>Transducteurs :</b>	Transducteur basse fréquence ultra-efficace de 381 mm avec bobine mobile en cuivre de 100 mm à événements sur formes Kapton®. Conception du type excursion élevée/faible distorsion, qui permet le traitement d'une puissance extrêmement élevée, et réduit la chauffe et la compression des ports.
<b>Enceinte :</b>	Enceinte résonnante à alignement quasi B4 avec ports entièrement arrondis ; conception symétrique des ports à faible turbulence ; réglée à 36 Hz, en panneaux de fibres de densité moyenne et fortement renforcé. Possède des boulons de fixation sur les haut-parleurs de graves résistants aux vandales.
<b>Dimensions :</b>	762 mm (largeur) x 457 mm (hauteur) x 508 mm (épaisseur)
<b>Poids brut :</b>	44 kg Poids net :38 kg

**SPL et impédance par rapport à la fréquence**



## **Garantie (États-Unis seulement ; dans les autres pays, consulter le revendeur ou le distributeur)**

### **Avis de non-responsabilité**

QSC Audio Products, Inc. n'est pas responsable des dommages subis par les amplificateurs ou tout autre équipement causé par un acte de négligence ou une installation impropre et/ou l'utilisation de ce haut-parleur.

### **QSC Audio Products - Garantie limitée de 3 ans**

QSC Audio Products, Inc. (« QSC ») garantit que ses produits sont dépourvus de tout vice de fabrication et/ou de matériel pendant une période de trois (3) ans à partir de la date de vente et remplacera les pièces défectueuses et réparera les produits qui fonctionnent mal dans le cadre de cette garantie si le défaut survient dans des conditions normales d'installation et d'utilisation - à condition que l'appareil soit retourné à l'usine ou à l'un de nos centres de réparation agréés en port prépayé, accompagné d'un justificatif d'achat (facture, par ex.). Cette garantie prévoit que l'examen du produit retourné doit indiquer, selon notre jugement, un défaut de fabrication. Cette garantie ne s'étend à aucun produit qui a été soumis à une utilisation abusive, un acte de négligence, un accident, une installation incorrecte ou un produit dont le code-date a été retiré ou effacé. QSC ne pourra être tenue pour responsable de dommages accessoires et/ou indirects. Cette garantie vous accorde des droits spécifiques. Cette garantie limitée est librement cessible durant sa période de validité.

Le client pourra bénéficier d'autres droits, variables d'une juridiction à l'autre.

Si ce produit a été fabriqué pour une exportation et une vente en dehors des États-Unis ou de ses territoires, cette garantie limitée ne s'appliquera pas. Le retrait du numéro de série sur ce produit ou l'achat de ce produit auprès d'un revendeur non agréé annulera cette garantie limitée. Cette garantie est régulièrement mise à jour. Pour obtenir la toute dernière version de la garantie de QSC, rendez-vous sur le site [www.qscaudio.com](http://www.qscaudio.com). Contactez-nous au 800-854-4079 ou visitez notre site Web [www.qscaudio.com](http://www.qscaudio.com).

## **Pour contacter QSC Audio Products**

Adresse postale : QSC Audio Products, Inc.  
1675 MacArthur Boulevard  
Costa Mesa, CA 92626-1468, États-Unis

Téléphone :

Standard +1 (714) 754-6175

Ventes & Marketing +1 (714) 957-7100 ou numéro vert (États-Unis seulement) +1 (800) 854-4079

Service clientèle +1 (714) 957-7150 ou numéro vert (États-Unis seulement) +1 (800) 772-2834

Télécopieur :

Ventes & Marketing Télécopieur +1 (714) 754-6174

Service clientèle Télécopieur +1 (714) 754-6173

Site Web : [www.qscaudio.com](http://www.qscaudio.com)

E-mail : [info@qscaudio.com](mailto:info@qscaudio.com)

[service@qscaudio.com](mailto:service@qscaudio.com)

# **QSC™**

QSC Audio Products, Inc. 1675 MacArthur Boulevard Costa Mesa, California 92626 USA  
©2004 QSC et le logo QSC sont des marques déposées auprès de l'U.S. Patent and Trademark Office.  
Kapton® est une marque déposée de E.I. du Pont de Nemours and Company.



1675 MacArthur Blvd., Costa Mesa, CA, 92626 USA  
Zentrale +1 (714) 754-6175 Verkauf und Marketing +1 (714) 957-7100  
oder gebührenfrei (nur in den USA) +1 (800) 854-4079  
Kundendienst +1 (714) 957-7150 oder gebührenfrei (nur in den USA) +1 (800) 772-2834

## Kinolautsprecheranlagen - Benutzerhandbuch

# Hochfrequenzkomponente HF-75

### Einführung

Die Hochfrequenzkomponente HF-75 ist Bestandteil der Zweiweg-Lautsprecher SC-412 und SC-422 mit doppelverstärktem Leinwandkanal für Hochleistungs-Kinoanwendungen. Der Lieferumfang enthält zwei separate Komponenten: die Hochfrequenzanlage HF-75 und die Tieftonanlage LF-4115 oder LF-4215.

Die im Großformat ausgelegte Hochfrequenzanlage HF-75 umfasst einen 3-Zoll-(75-mm-) Titan-Komprimierungstreiber, der auf einem speziell konstruierten Kino-Schalltrichter mit verstellbarer Schwenkarm-Halterung befestigt ist. Durch die breitwinkelige horizontale und vertikale Abstrahlung des Schalltrichters wird gewährleistet, dass der Beschallungsbereich alle Sitze im Zuschauerraum einschließt. Bei dem Schalltrichter handelt es sich um einen Wellenleiter mit geringer Verzerrung und äußerst klarer Dialogwiedergabe ohne das nasal eingefärbte Klangbild, wie es oftmals bei konventionellen Schalltrichter-Lautsprechern auftritt.

Die Komponente HF-75 umfasst ein Treiberschutz- und Equalizing-Netzwerk. Gleichstrom blockierende Kondensatoren bieten Schutz vor Gleichstrom- bzw. Niederfrequenzsignalen, die einen ungeschützten Treiber sehr wahrscheinlich zerstören würden. Leistungsbegrenzungsschaltkreise schützen den Treiber vor Leistungsüberschreitung und ein Frequenzgangkorrekturfilter glättet den Frequenzgang der Schalltrichter/Treiber-Kombination. Durch das Treiber- und Equalizing-Netzwerk wird die Zuverlässigkeit erhöht, um eine unterbrechungsfreie Vorstellung zu gewährleisten.

Für eine schnelle Montage am Einsatzort sind die HF-75-Komponenten vormontiert. Zur Befestigung der Komponente HF-75 auf dem Niederfrequenzgehäuse sind lediglich drei Schrauben erforderlich.

### Montage

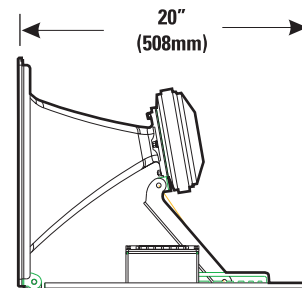
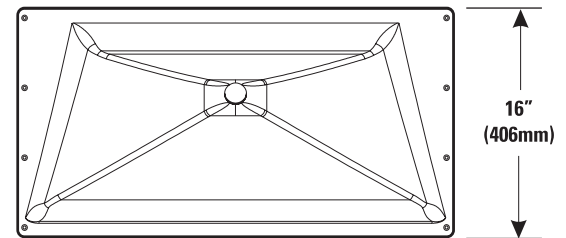
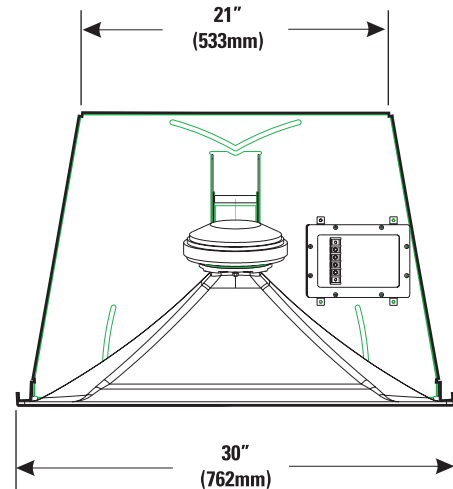
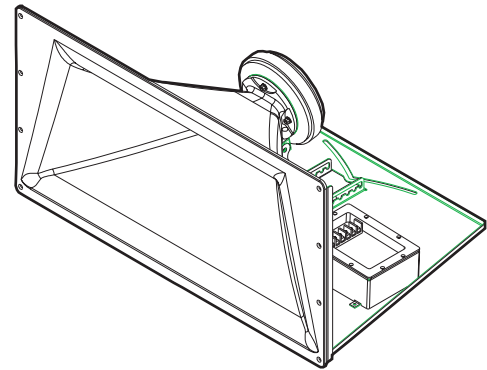
Einzelheiten zur Montage sind der Abbildung zu entnehmen. Die Komponente HF-75 wird mit drei Schrauben (5/16-18, 19 mm lang) und Federringen auf dem LF-4115 oder dem LF-4215 befestigt. Beim Einsetzen der Schrauben wird die Verwendung eines lösbaren Sicherungslacks empfohlen, um ein vibrationsbedingtes Lockern der Schrauben zu verhindern. Vor dem Festziehen den Schalltrichter auf dem Schwenkarm horizontal ausrichten. Die vertikale Neigung durch Verstellung der Schwenkarm-Halterung einstellen.



**Die Installation von einem lizenzierten Fachtechniker gemäß der Anleitung von QSC Audio Products vornehmen lassen. Nur von QSC Audio Products, Inc. spezifizierte Befestigungskomponenten, Montagezubehör oder Halterungen verwenden. Wartungsarbeiten nur von qualifiziertem Personal ausführen lassen. Wartungsmaßnahmen sind erforderlich, wenn das Produkt auf irgendeine Weise beschädigt wurde.**



**ACHTUNG! Inspizieren Sie vor dem Aufstellen, Installieren, Verdrahten oder Aufhängen von Lautsprecherprodukten alle Befestigungsteile, Aufhängungen, Gehäuse, Wandler, Halterungen und damit in Verbindung stehende Vorrichtungen auf eventuelle Schäden. Fehlende, korrodierte, verformte oder nicht belastbare Komponenten könnten die Stabilität der Installation, der Aufstellung oder der Gerätekombination deutlich reduzieren. Jeder Zustand dieser Art bewirkt eine erhebliche Verringerung der Sicherheit der Installation und sollte umgehend behoben werden. Verwenden Sie ausschließlich Befestigungsteile, die für die Belastungsbedingungen der Installation zugelassen und für jede potenzielle, unerwartete, kurzfristige Überlastung ausgelegt sind. Die Nennleistung der Befestigungsteile bzw. Ausrüstung darf keinesfalls überschritten werden. In Zweifelsfällen oder bei Fragen zur Installation eines Geräts sollten Sie einen qualifizierten Techniker hinzuziehen.**



## Verbindungen

Die Komponente HF-75 ist mit Barrier-Strip-Schraubklemmen für Lautsprecher-Litzendraht mit einem maximalen Querschnitt von 10 AWG (5,2 mm<sup>2</sup>) ausgestattet.

### Hochfrequenz-Eingangsklemmen (HF INPUT)

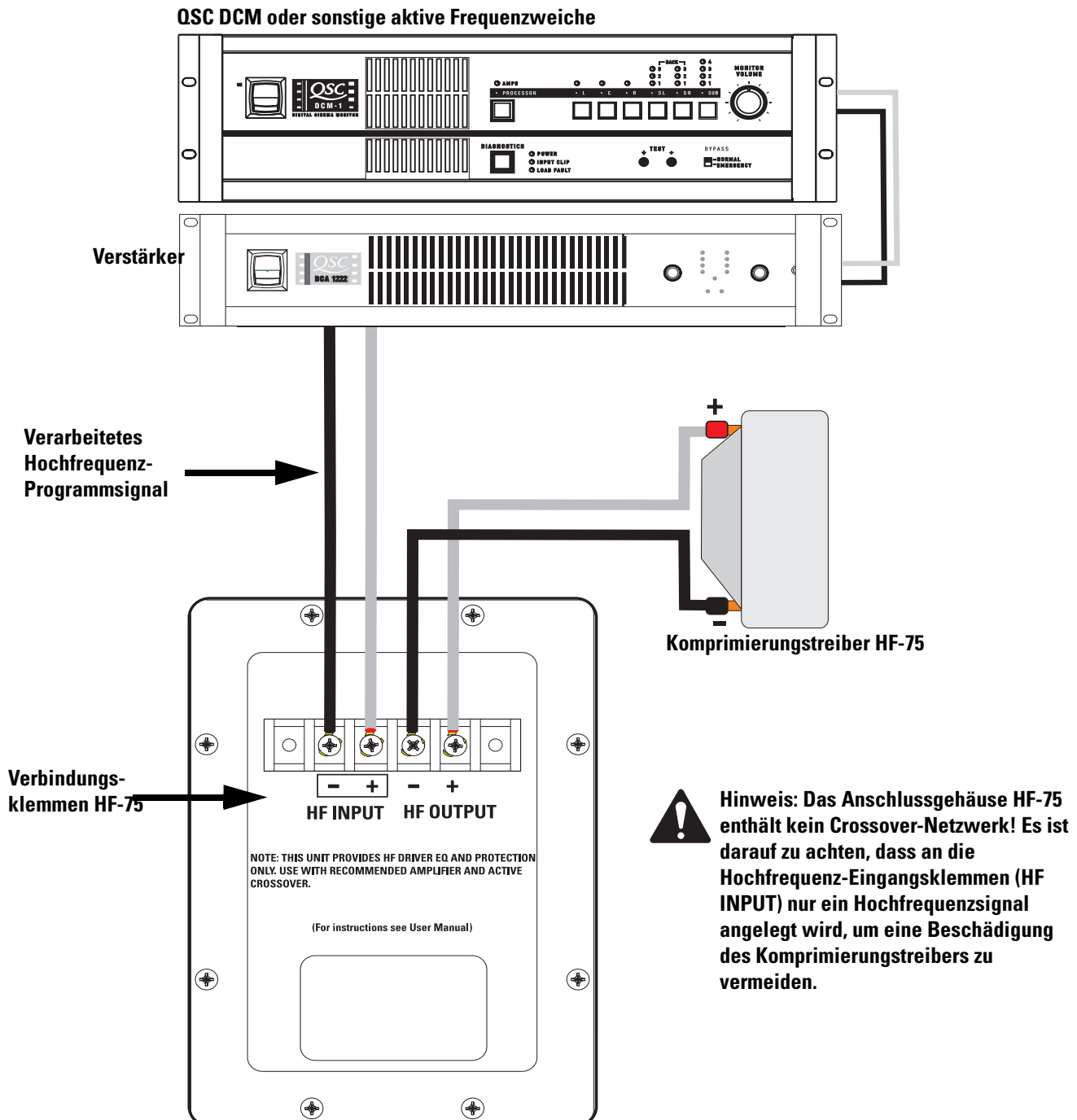
Das Verstärker-Ausgangssignal an die Lautsprechereingangsklemmen HF INPUT anschließen. Darauf achten, dass die richtige Polarität gewahrt ist: Das Plus-Signal (+) des Verstärkers muss an das Plus-Signal (+ HF INPUT) des Lautspeichers und das Minus-Signal (-) des Verstärkers muss an das Minus-Signal des Lautspeichers (- HF INPUT) angeschlossen werden. Stets den größtmöglichen Leiterquerschnitt und die kürzeste Leiterlänge verwenden.



**HINWEIS! Zur Optimierung der Leistung muss die richtige Polarität der Lautsprecheranschlüsse in der gesamten Anlage gewahrt sein. An der Komponente HF-75 kein Vollbereichssignal anlegen! Die Komponente HF-75 enthält keine Frequenzweiche, sondern lediglich ein Kompensations-/Verzögerungsnetzwerk. Sämtliche erforderliche Signalverarbeitung muss der HF-75 vorgelagert sein.**

### Hochfrequenz-Ausgangsklemmen (HF OUTPUT)

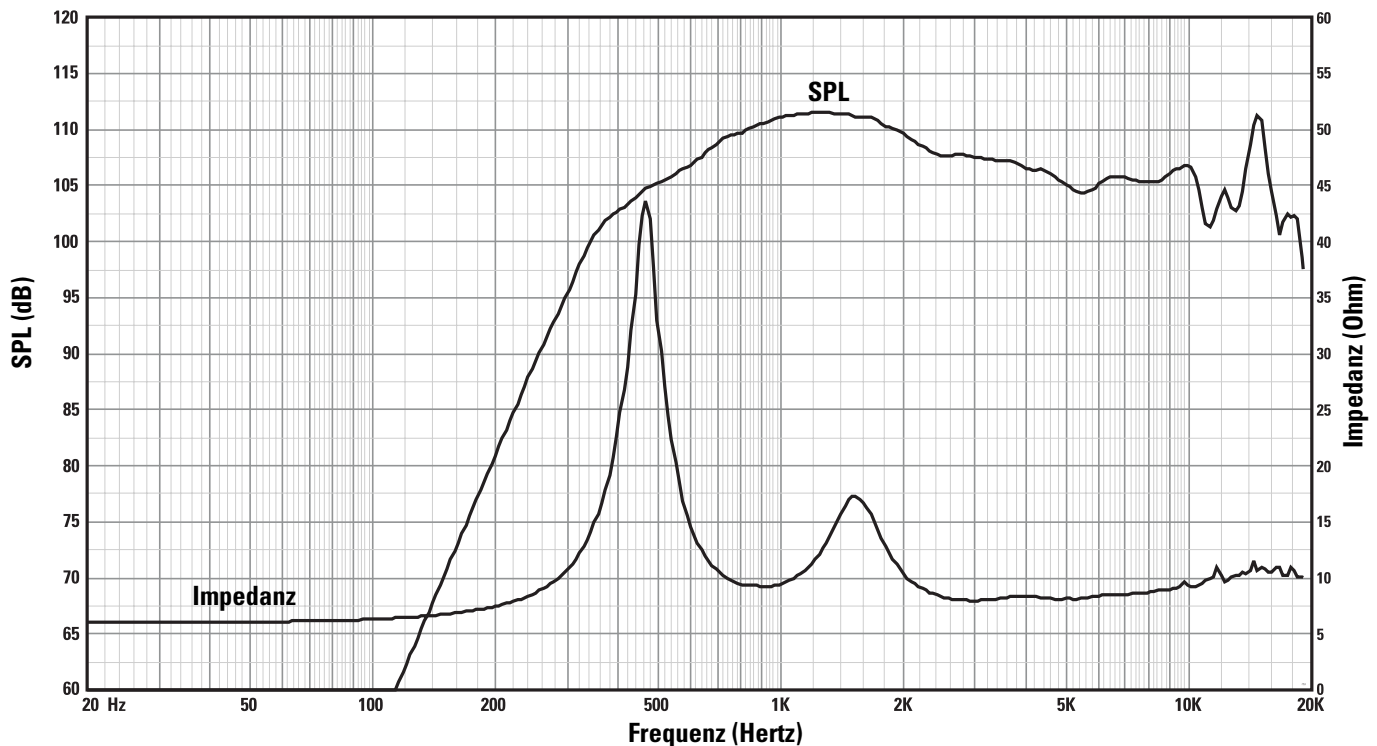
Die Hochfrequenz-Ausgangsklemmen (HF OUTPUT) wurden werkseitig mit dem Komprimierungstreiber verbunden. Sie sollten AUSSCHLIESSLICH mit dem Komprimierungstreiber der HF-75 verbunden sein.



## **HF-75 - Technische Daten (können jederzeit ohne vorherige Mitteilung geändert werden)**

<b>Frequenzbereich:</b>	600 Hz - 16 kHz (-6 dB, Vollraum)
<b>Nominelle Abstrahlung:</b>	90° horizontal x +15 bis -35° vertikal (50° insgesamt, vertikale Einstellung erfolgt durch verstellbare Schwenkarm-Halterung). Die horizontale Abstrahlung kann durch Änderung der Montageposition auf dem Gehäuse LF-4215 vor dem Festziehen der Schrauben eingestellt werden.
<b>DI:</b>	9,0 dB (durchschnittl. 600 bis 16.000 Hz)
<b>Q:</b>	8,0 (durchschnittl. 600 bis 16.000 Hz)
<b>Maximaler Ausgang:</b>	133 dB berechneter Spitzen-SPL, 1 m, Halbraum
<b>Impedanz:</b>	8 Ohm (nominell) 8,0 Ohm min. bei 3.000 Hz 104 Ohm max. bei 475 Hz
<b>Maximale Eingangsleistung:</b>	60 W eff. (100 Stunden bei Rosa-Rauschen mit einem Crestfaktor von 6 dB, 500 bis 20.000 Hz, IEC-Methode) 80 W eff. (2 Stunden Rosa-Rauschen mit einem Crestfaktor von 6 dB, 60 - 6.000 Hz, AES-Methode)
<b>Empfindlichkeit:</b>	108 dB Halbraum, 1 W, 1 m
<b>Crossover-Frequenz:</b>	700 Hz oder höher, 24 dB je Oktave
<b>Anschlüsse:</b>	Barrier-Strip-Schraubklemmen für Litzendraht-Querschnitt bis zu 10 AWG (5,2 mm <sup>2</sup> ). 4 Klemmen: 2 HF-Eingangsklemmen (HF INPUT) und 2 Nachkompensationsausgänge (HF OUTPUT). HF OUTPUT werkseitig mit Komprimierungstreiber verbunden.
<b>Wandler:</b>	1,5-Zoll- (38-mm-) Ausgang, 3,0-Zoll- (76-mm-) Titan-Komprimierungstreiber.
<b>Befestigungsteile:</b>	Befestigung auf dem Niederfrequenzgehäuse mit drei Schrauben (5/16-18, 19 mm lang)
<b>Größe:</b>	762 mm breit x 406 mm hoch x 508 mm tief
<b>Gewicht:</b>	Versandgewicht: 22,7 kg, Nettogewicht: 18,4 kg

**SPL und Impedanz im Verh. zur Frequenz**



## **Garantie (nur für die USA; wenden Sie sich zwecks Garantieinformationen für andere Länder an Ihren Händler oder Distributor)**

### **Haftungsausschluss**

QSC Audio Products, Inc. ist nicht für Schäden an Verstärkern oder anderen Geräten haftbar, die durch Fahrlässigkeit oder eine unsachgemäße Installation und/oder Verwendung dieses Lautsprecherprodukts verursacht werden.

### **Beschränkte Dreijahresgarantie durch QSC Audio Products**

QSC Audio Products, Inc. („QSC“) gewährleistet, dass seine Produkte für einen Zeitraum von drei (3) Jahren ab dem Kaufdatum keine Material- und/oder Ausführungsfehler aufweisen werden, und QSC verpflichtet sich zum Ersatz defekter Teile und zur Reparatur funktionsgestörter Produkte gemäß dieser Garantie, wenn dieser Fehler bei einer normalen Installation und unter normalen Gebrauchsbedingungen auftritt – vorausgesetzt, dass das Gerät unter Vorauszahlung der Transportkosten und zusammen mit einer Kopie des Kaufnachweises (z.B. der Kaufquittung) an unser Werk zurückgeschickt oder an eine unserer autorisierten Kundendienststellen eingeschickt wird. Diese Garantie setzt voraus, dass die Prüfung des zurückgeschickten Produkts in unserem Ermessen einen Herstellungsdefekt zu erkennen gibt. Diese Garantie erstreckt sich auf keine Produkte, die einer unsachgemäßen oder fahrlässigen Behandlung, Unfällen oder einer unvorschriftsmäßigen Installation unterlagen, oder deren Datumscode entfernt oder unkenntlich gemacht wurde. QSC ist für keine Neben- und/oder Folgeschäden haftbar. Diese Garantie gewährt Ihnen bestimmte Rechte. Diese beschränkte Garantie ist während der Garantiezeit frei übertragbar.

Manche Kunden können je nach Rechtsprechung zusätzliche und andere Rechte besitzen.

Falls dieses Produkt zum Export und Verkauf außerhalb der Vereinigten Staaten oder deren Hoheitsgebieten hergestellt wurde, besitzt diese eingeschränkte Garantie keine Gültigkeit. Die Entfernung der Seriennummer auf diesem Produkt oder der Kauf dieses Produkts von einem nicht autorisierten Händler macht diese beschränkte Garantie unwirksam. Diese Garantie wird gelegentlich aktualisiert. Die jeweils aktuellste Version der Garantieerklärung von QSC finden Sie im Internet unter [www.qscaudio.com](http://www.qscaudio.com). Sie erreichen uns telefonisch unter +1 800-854-4079 (gebührenfrei in den USA und Kanada) oder im Internet unter [www.qscaudio.com](http://www.qscaudio.com).

## **Kontaktaufnahme mit QSC Audio Products**

Postanschrift: QSC Audio Products, Inc.  
1675 MacArthur Boulevard  
Costa Mesa, CA 92626-1468 USA

Telefonnummern:

Zentrale: +1 (714) 754-6175

Verkauf und Marketing +1 (714) 957-7100 oder gebührenfrei (nur in den USA) +1 (800) 854-4079

Kundendienst +1 (714) 957-7150 oder gebührenfrei (nur in den USA) +1 (800) 772-2834

Fax-Nummern:

Verkauf und Marketing (Fax) +1 (714) 754-6174

Kundendienst (Fax) +1 (714) 754-6173

Internet: [www.qscaudio.com](http://www.qscaudio.com)

E-Mail: [info@qscaudio.com](mailto:info@qscaudio.com)

[service@qscaudio.com](mailto:service@qscaudio.com)



QSC Audio Products, Inc. 1675 MacArthur Boulevard Costa Mesa, California 92626 USA  
©2003, 2004, „QSC“ und das QSC-Logo sind beim US-Patent- und Markenamt angemeldet.



1675 MacArthur Blvd., Costa Mesa, CA, 92626 USA  
Zentrale +1 (714) 754-6175 Verkauf und Marketing +1 (714) 957-7100  
oder gebührenfrei (nur in den USA) +1 (800) 854-4079  
Kundendienst +1 (714) 957-7150 oder gebührenfrei (nur in den USA) +1 (800) 772-2834

## Kinolautsprecheranlagen - Benutzerhandbuch

# Niederfrequenzlautsprecher LF-4115

### Einführung

Das 15-Zoll- (381-mm-) Gehäuse des LF-4115-Niederfrequenzlautsprechers wurde speziell für Kinoanwendungen konstruiert. Da diese Anlage mit ihrem erweiterten Niederfrequenzgang die Voraussetzung für Kinoanwendungen erfüllt, unterscheidet sie sich von konventionellen „Rock-and-Roll“-Tiefenlautsprechern. Je nach den Anforderungen der Hochfrequenzanlage deckt das Modell LF-4115 den Frequenzbereich zwischen 33 und 1200 Hz ab.

Der 15-Zoll-Wandler mit 400 W wurden speziell für Kinoanwendungen entwickelt. Er umfasst eine 4-Zoll- (100-mm-) Schwingspule, einen 3,4-kg-Keramikkneten und ein mehrfach belüftetes Polstück, wodurch ein kühler Betrieb sichergestellt wird. Kühlere Temperaturen verlängern die Lebensdauer der Wandler und reduzieren das Problem der Leistungskomprimierung bei hohen Leistungspegeln. Durch das hinterschnittene Polstück wird die Schwingspule in einem symmetrischen Magnetluftspalt betrieben, was zu einer Reduzierung der sekundären harmonischen Verzerrung führt. Aufhängung und Schwingspule des Wandlers wurden so konstruiert, dass sie bei hoher Ausgangsleistung nur eine geringe Verzerrung zulassen und einen druckvollen Bass ermöglichen.

Das Gehäuse besteht aus hochwertigen Pressspanplatten mittlerer Dichte mit Versteifungen an allen sechs Platten. Sowohl die internen als auch die externen Öffnungen sind mit Vollradius versehen, damit sie bei hoher Leistung eine gleichmäßige Luftströmung gewährleisten und hörbare Luftgeräusche an der Öffnung vermeiden.

Die Bass-Öffnungen sind auf jeder Seite des Wandlers symmetrisch angeordnet, was einen Ausgleich des Innendrucks an der Wandler-Rückseite bewirkt. Dadurch wird eine seitliche Auslenkung der Membran durch asymmetrische Kräfte verhindert und eine mögliche Abweichung der Schwingspule aus ihrer Mittelstellung im Luftspalt bei hoher Leistung reduziert.

Die Montage der Hochfrequenz-Anlage HF-75 bzw. des oberen Mittenfrequenz-Systems MH-1063 von QSC wird durch drei T-Muttern oben im Gehäuse erleichtert.



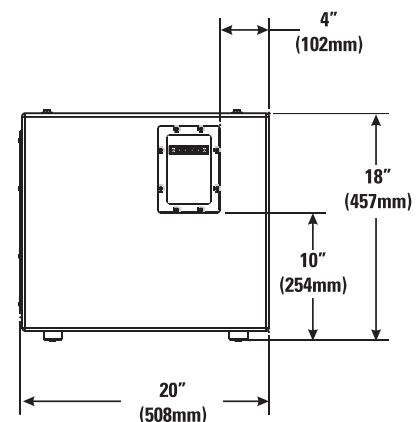
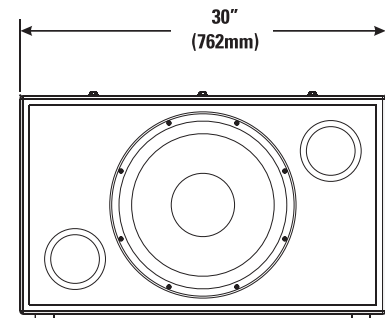
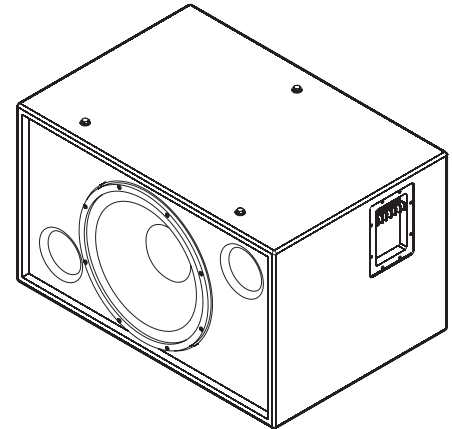
**Das Gehäuse ist nicht für Hänge-, Flug- oder Abspannanwendungen vorgesehen. Dieses Gehäuse darf weder aufgehängt noch in Flug- oder Abspannanwendungen eingesetzt werden.**

**Dieses Produkt kann Schalldruckpegel erzeugen, die permanenten Gehörschaden verursachen können. Den Schalldruckpegel stets auf einen Pegel im Hörbereich einstellen, der keinen Gehörschaden verursacht.**

**Die Installation von einem lizenzierten Fachtechniker gemäß der Anleitung von QSC Audio Products vornehmen lassen. Nur von QSC Audio Products, Inc. spezifizierte Befestigungskomponenten, Montagezubehör oder Halterungen verwenden. Wartungsarbeiten nur von qualifiziertem Personal ausführen lassen. Wartungsmaßnahmen sind erforderlich, wenn das Produkt auf irgendeine Weise beschädigt wurde.**



**ACHTUNG! Inspizieren Sie vor dem Aufstellen, Installieren, Verdrahten oder Aufhängen von Lautsprecherprodukten alle Befestigungsteile, Aufhängungen, Gehäuse, Wandler, Halterungen und damit in Verbindung stehende Vorrichtungen auf eventuelle Schäden. Fehlende, korrodierte, verformte oder nicht belastbare Komponenten könnten die Stabilität der Installation, der Aufstellung oder der Gerätekombination deutlich reduzieren. Jeder Zustand dieser Art bewirkt eine erhebliche Verringerung der Sicherheit der Installation und sollte umgehend behoben werden. Verwenden Sie ausschließlich Befestigungsteile, die für die Belastungsbedingungen der Installation zugelassen und für jede potenzielle, unerwartete, kurzfristige Überlastung ausgelegt sind. Die Nennleistung der Befestigungsteile bzw. Ausrüstung darf keinesfalls überschritten werden. In Zweifelsfällen oder bei Fragen zur Installation eines Geräts sollten Sie einen qualifizierten Techniker hinzuziehen.**

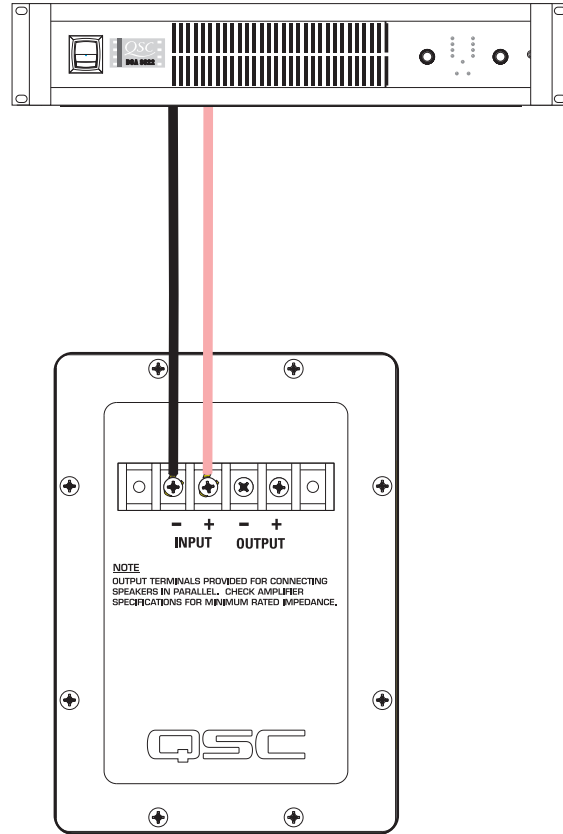


## Verbindungen

### Normaler Anschluss

Das Modell LF-4115 wird über Barrier-Strip-Schraubklemmen angeschlossen. Die Klemmen können Lautsprecher-Litzendraht bis zu einer Stärke von 10 AWG (5,3 mm<sup>2</sup>) aufnehmen. Bei der Installation stets den größtmöglichen Leiterquerschnitt und die kürzeste Leiterlänge verwenden. Die Polaritätsmarkierungen beachten und zur Erzielung optimaler Leistung auf eine gleich bleibende Polarität in der gesamten Anlage achten.

### Beispiel eines normalen Anschlusses:

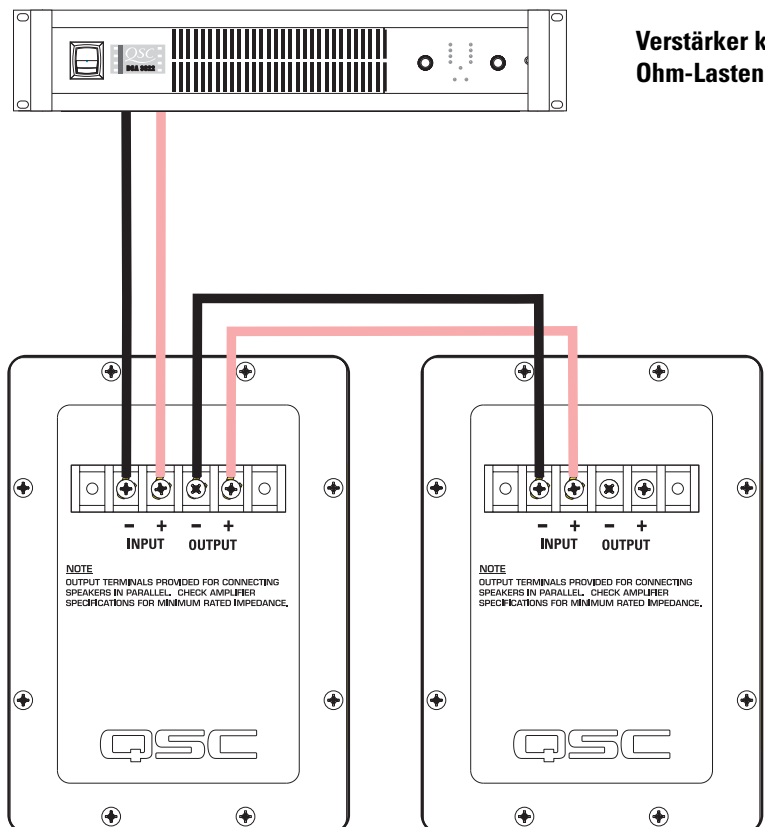


**Verstärker kann 4-Ohm-Lasten treiben**

### Paralleler Anschluss des zweiten LF-4115

Ein weiterer LF-4115 kann über die mit der Bezeichnung **OUTPUT** gekennzeichnete Klemme parallel angeschlossen werden. Die Drähte wie in der rechten Abbildung dargestellt anschließen.

### Beispiel eines parallelen Anschlusses:



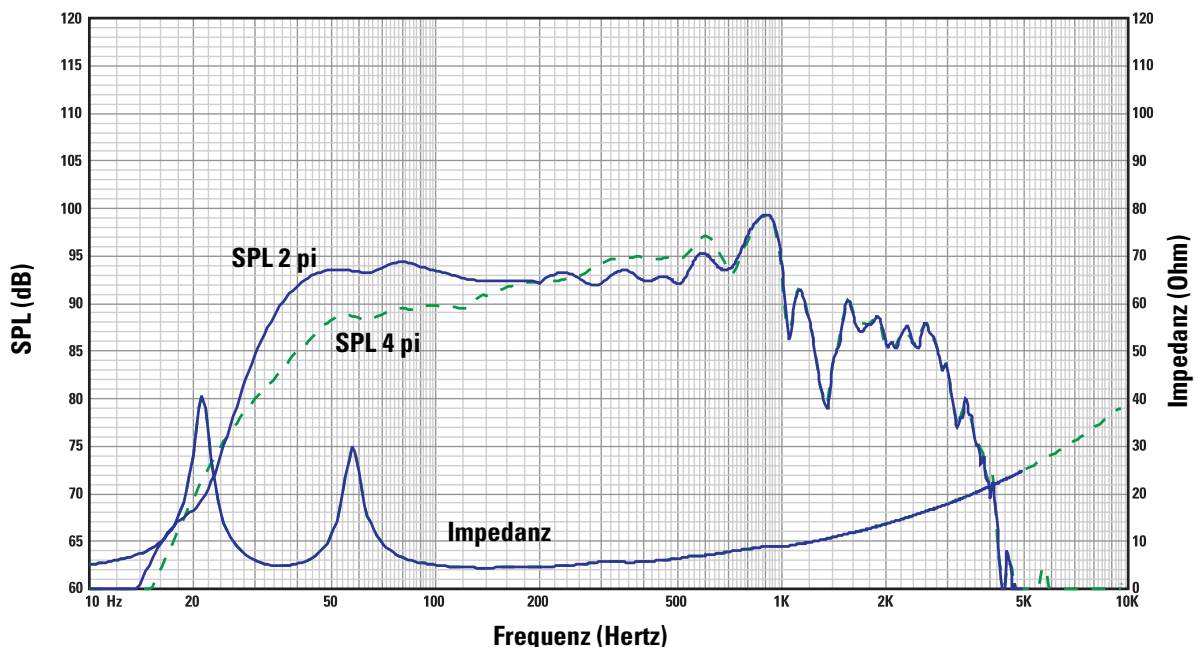
**Verstärker kann 2-Ohm-Lasten treiben**



## LF-4115 - Technische Daten (können jederzeit ohne vorherige Mitteilung geändert werden)

<b>Frequenzbereich:</b>	33 Hz - 1200 Hz (-6 dB) Nutzbereich von 29 - 3000 Hz (-10 dB)
<b>Nominelle Abstrahlung:</b>	100° horizontal x 100° vertikal bei 1.000 Hz
<b>Maximale Ausgabe:</b>	127,0 dB berechneter Spitzen-SPL, 1 m, Halbraum bei effektiver Nennleistung mit Rosa-Rauschen-Eingang-Crestfaktor von 6 dB, 35 - 1.000 Hz 121,0 dB berechneter kontinuierlicher Maximal-SPL, 1 m Schallquellen, die permanenten Gehörschaden verursachen können, werden in der Regel mithilfe der dBA-Skala identifiziert.
<b>Impedanz:</b>	4 Ohm (nominell) 4,3 Ohm min., 160 Hz 40 Ohm max., 22 Hz
<b>Maximale Eingangsleistung:</b>	400 W eff. (8 Stunden bei Rosa-Rauschen mit einem Crestfaktor von 6 dB, 40 - 400 Hz) 600 W eff. (2 Stunden bei Rosa-Rauschen mit einem Crestfaktor von 6 dB, 40 - 400 Hz) Empfohlene Verstärkerleistung: max. 1.100 W eff. über 4 Ohm (je LF-4115)
<b>Empfindlichkeit:</b>	93,5 dB Halbraum, 92,0 dB Vollraum, 35 - 1000 Hz, 1 W, 1 m
<b>Empfohlene Verarbeitung:</b>	Untertonfrequenzfilter unter 30 Hz, >18 dB je Oktave, empfohlene maximale Crossover-Frequenz: 1000 Hz QSC DSP-Konfigurationen können im Internet unter <a href="http://www.qscaudio.com">www.qscaudio.com</a> eingesehen werden. Parameter für alternative Verarbeitungshardware sind auf Anfrage erhältlich.
<b>Anschlüsse:</b>	Barrier-Strip-Schraubklemmen für Litzendraht-Querschnitt bis zu 10 AWG (5,3 mm <sup>2</sup> ). 4 Klemmen: 2 Eingangsklemmen ( <b>INPUT</b> ) und 2 parallele Ausgangsklemmen ( <b>OUTPUT</b> ).
<b>Wandler:</b>	15-Zoll- (381-mm-) Hochleistungs-Niederfrequenzwandler mit belüfteter 4-Zoll- (100-mm-) Kupfer-Schwingspule auf Kapton® Schablonen. Für hohe Auslenkung/geringe Verzerrung, äußerst hohe Belastbarkeit und geringe Wärmekomprimierung und Port Compression.
<b>Gehäuse:</b>	Quasi-B4-Ausrichtung, Vollradius-Öffnungen, geringe Luftgeräusche durch symmetrische Öffnungsanordnung, auf 36 Hz abgestimmt, aus Pressspanplatten mittlerer Dichte gefertigt und stabil verstrebt. Vandalismussichere Tieftonlautsprecher-Montagebolzen.
<b>Größe:</b>	762 mm breit x 457 mm hoch x 508 mm tief
<b>Gewicht:</b>	Versandgewicht 44 kg, Nettogewicht 38 kg

**SPL und Impedanz im Verh. zur Frequenz**



## **Garantie (nur für die USA; wenden Sie sich zwecks Garantieinformationen für andere Länder an Ihren Händler oder Distributor)**

### **Haftungsausschluss**

QSC Audio Products, Inc. ist nicht für Schäden an Verstärkern oder anderen Geräten haftbar, die durch Fahrlässigkeit oder eine unsachgemäße Installation und/oder Verwendung dieses Lautsprecherprodukts verursacht werden.

### **Beschränkte Dreijahresgarantie durch QSC Audio Products**

QSC Audio Products, Inc. („QSC“) gewährleistet, dass seine Produkte für einen Zeitraum von drei (3) Jahren ab dem Kaufdatum keine Material- und/oder Ausführungsfehler aufweisen werden, und QSC verpflichtet sich zum Ersatz defekter Teile und zur Reparatur funktionsgestörter Produkte gemäß dieser Garantie, wenn dieser Fehler bei einer normalen Installation und unter normalen Gebrauchsbedingungen auftritt – vorausgesetzt, dass das Gerät unter Vorauszahlung der Transportkosten und zusammen mit einer Kopie des Kaufnachweises (z.B. der Kaufquittung) an unser Werk zurückgeschickt oder an eine unserer autorisierten Kundendienststellen eingeschickt wird. Diese Garantie setzt voraus, dass die Prüfung des zurückgeschickten Produkts in unserem Ermessen einen Herstellungsdefekt zu erkennen gibt. Diese Garantie erstreckt sich auf keine Produkte, die einer unsachgemäßen oder fahrlässigen Behandlung, Unfällen oder einer unvorschriftsmäßigen Installation unterlagen, oder deren Datumscode entfernt oder unkenntlich gemacht wurde. QSC ist für keine Neben- und/oder Folgeschäden haftbar. Diese Garantie gewährt Ihnen bestimmte Rechte. Diese beschränkte Garantie ist während der Garantiezeit frei übertragbar.

Manche Kunden können je nach Rechtsprechung zusätzliche und andere Rechte besitzen.

Falls dieses Produkt zum Export und Verkauf außerhalb der Vereinigten Staaten oder deren Hoheitsgebieten hergestellt wurde, besitzt diese eingeschränkte Garantie keine Gültigkeit. Die Entfernung der Seriennummer auf diesem Produkt oder der Kauf dieses Produkts von einem nicht autorisierten Händler macht diese beschränkte Garantie unwirksam. Diese Garantie wird gelegentlich aktualisiert. Die jeweils aktuellste Version der Garantieerklärung von QSC finden Sie im Internet unter [www.qscaudio.com](http://www.qscaudio.com). Sie erreichen uns telefonisch unter +1 800-854-4079 (gebührenfrei in den USA und Kanada) oder im Internet unter [www.qscaudio.com](http://www.qscaudio.com).

## **Kontaktaufnahme mit QSC Audio Products**

Postanschrift: QSC Audio Products, Inc.  
1675 MacArthur Boulevard  
Costa Mesa, CA 92626-1468 USA

Telefonnummern:

Zentrale: +1 (714) 754-6175

Verkauf und Marketing +1 (714) 957-7100 oder gebührenfrei (nur in den USA) +1 (800) 854-4079

Kundendienst +1 (714) 957-7150 oder gebührenfrei (nur in den USA) +1 (800) 772-2834

Fax-Nummern:

Verkauf und Marketing (Fax) +1 (714) 754-6174

Kundendienst (Fax) +1 (714) 754-6173

Internet:[www.qscaudio.com](http://www.qscaudio.com)

E-Mail:[info@qscaudio.com](mailto:info@qscaudio.com)

[service@qscaudio.com](mailto:service@qscaudio.com)



QSC Audio Products, Inc. 1675 MacArthur Boulevard Costa Mesa, California 92626 USA

©2004 „QSC“ und das QSC-Logo sind beim US-Patent- und Markenamt angemeldet.

Kapton® ist eine eingetragene Marke von E.I. du Pont de Nemours and Company.



1675 MacArthur Blvd., Costa Mesa, CA 92626

主要号码 (714) 754-6175 销售和市场营销 (714) 957-7100 或免费电话 (仅限美国) (800) 854-4079 客服 (714) 957-7150 或免费电话 (仅限美国) (800) 772-2834

## 影院扬声器系统用户手册

# HF-75 高频组件

### 简介

HF-75 是 SC - 412 和 SC - 422 的高频组件，SC - 412 和 SC - 422 为双向，双放大屏幕的通道放大器，用于高效能的影院。该系统运输时作为两个独立的组件：HF-75 高频系统和 LF-4115 或 LF-4215 低音系统。

HF-75 高频系统具有一个大型格式化的，3" (75 毫米) 钛隔膜压缩驱动器，安装在定制设计的高频影院喇叭上，带有一个可调式面板和盖板支架。喇叭的特色是具有宽水平和垂直覆盖角，确保覆盖大厅的每个座位。喇叭为低失真波导，提供高清晰的对话，但是没有传统喇叭扬声器的“轰轰”本色。

HF-75 含有一个驱动器保护和平衡网络。直流阻塞电容器防止直流或低频信号可能破坏没有防护的驱动器。功率限制器电路防止驱动器功率过大，同时回应修正过滤器平滑喇叭 / 驱动器混合的频率响应。驱动器和平衡网络使运行更可靠，确保演出正常。

HF-75 组件为预组装式，减少现场组装的时间。三个螺栓足够安全地将 HF-75 安装到低频机罩的顶部。

### 装配

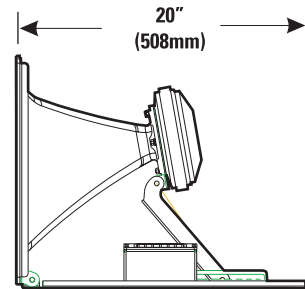
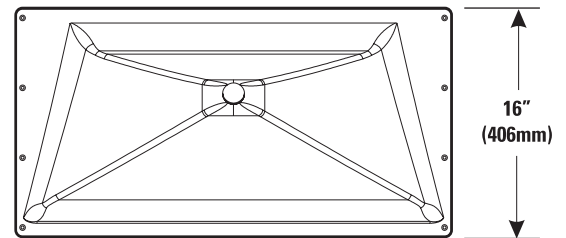
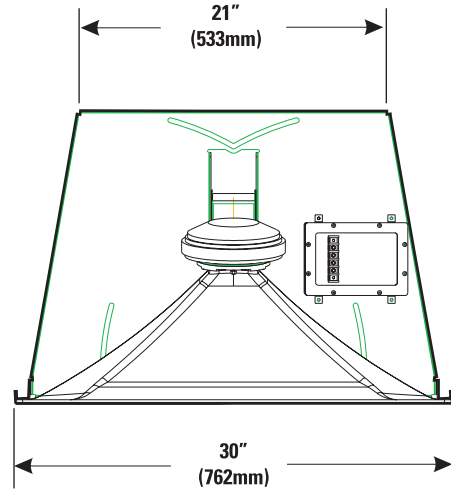
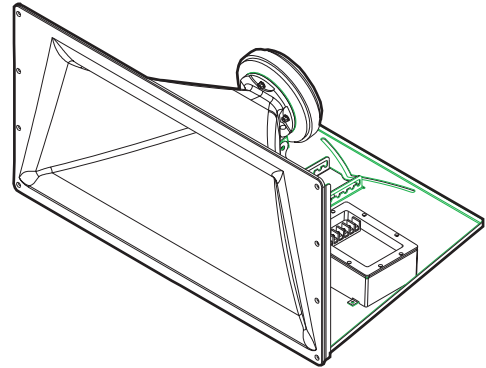
参考插图获得安装信息。HF-75 利用 3 个 0.75" 长、带锁住垫圈的 5/16-18 螺丝连接到 LF-4115 或 LF-4215 的顶部。安装螺栓时为了防止因振动而产生的松动，我们推荐使用可更换的螺纹防松组件。紧固前瞄准水平面上 (面板) 的喇叭。通过支架调整来调整垂直盖板。



按照 QSC Audio Product 的说明并在授权的专业工程师的指导下安装。仅限使用 QSC Audio Product 公司规定的附件、底座、零件或支架。所有维护请由合格的专业人士进行。设备如果受到损坏，就需要进行维修。



警告！放置、安装、装配或悬挂扬声器产品时，检查所有硬件、悬架、搁柜、变频器、支架和相关设备有无损坏。任何额定部件的缺失、腐蚀、变形或未装载都可能大大降低安装、放置或排列的强度。出现任何严重降低安装安全度的情况应立即更正。仅限使用额定安装的硬件及任何可能的短期突发超载。切勿超过硬件或设备的额定标准。如有任何关于物理设备安装的疑问或问题，请咨询获得许可的专业工程师。



## 连接

HF-75 具有阻挡带螺旋式终端，可以接受高达 #10 AWG 绞合式扬声器电线。

### HF 输入终端

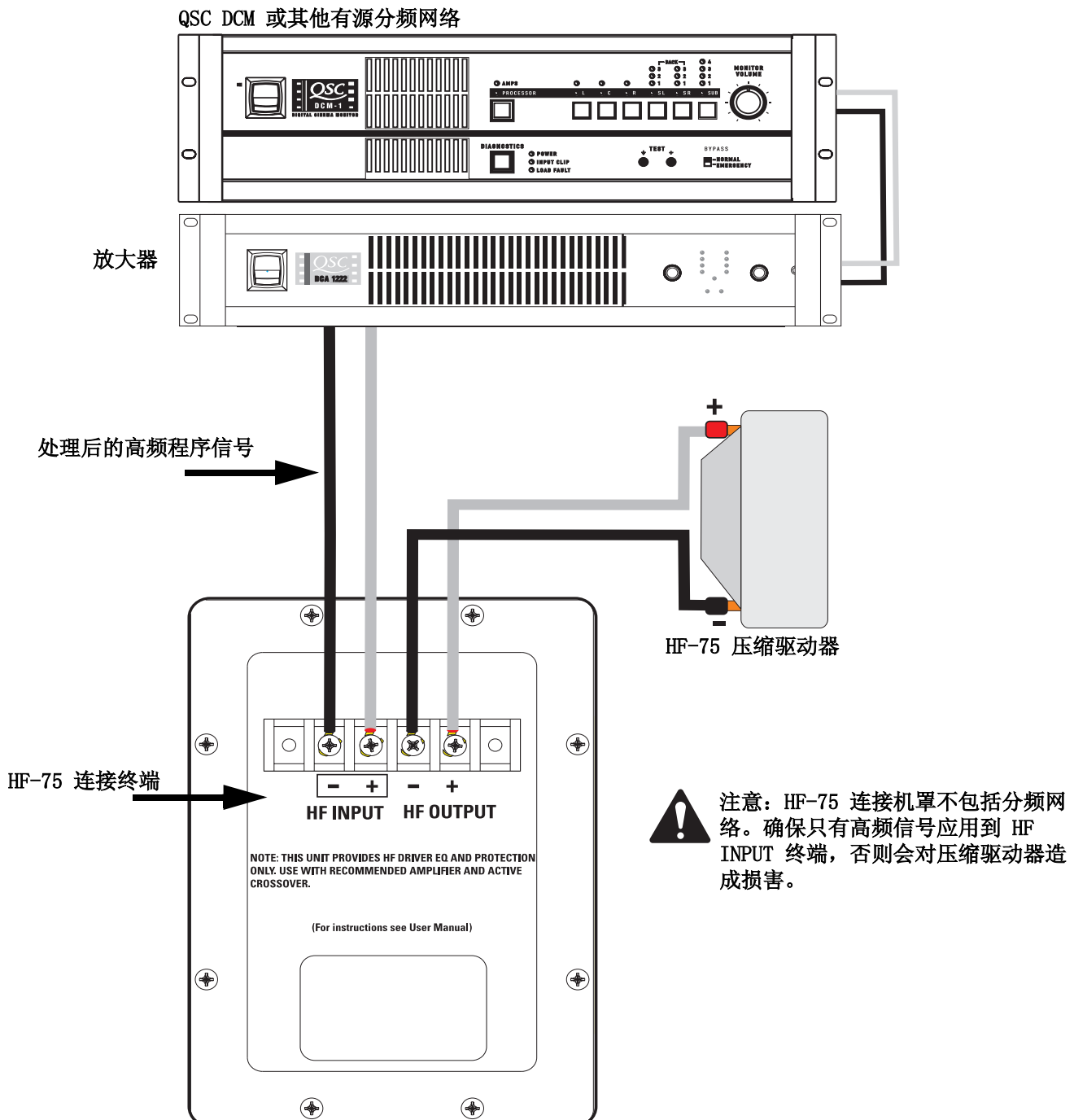
将放大器的输出信号连接到扬声器的 HF 输入终端。观察正确的极性；放大器+信号到扬声器+ HF 输入，放大器-信号到扬声器- HF 输入。使用最大导线尺寸和最短长度。



**注意！** 整个系统保持正确的扬声器连接极性，以便获得最佳性能。勿对 HF-75 应用全范围信号！HF-75 中无交叉，只有一个补偿 / 延迟网络。所有要求的信号处理必须在 HF-75 的上流完成。

### HF 输出终端

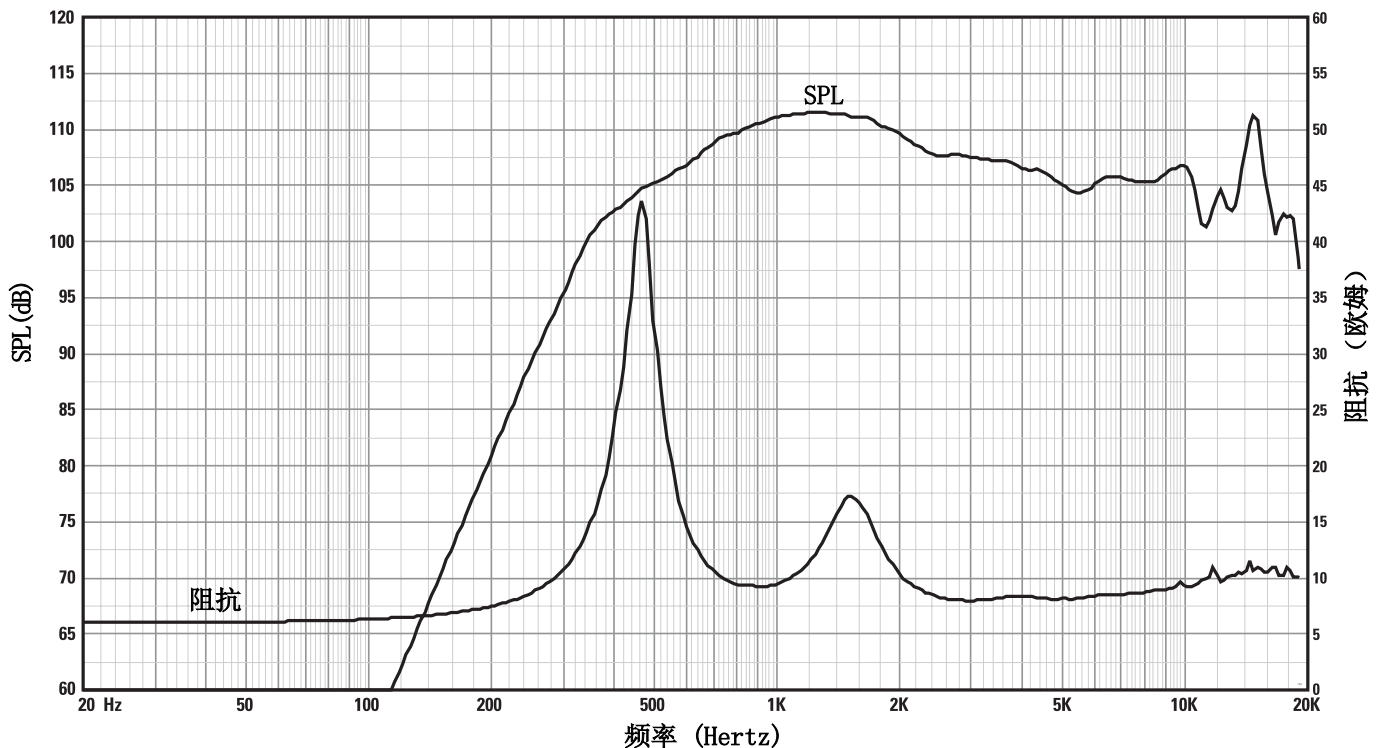
HF 输出终端由工厂连至压缩驱动器。这些终端应仅连到 HF-75 的压缩驱动器。



## HF-75 产品规格 (如有改变恕不另行通告)

频率范围：	600 - 16k Hz (-6 dB, 全间距)
标称覆盖范围：	90° 水平 X +15° 到 -35° 垂直 (总计 50° , 可调式安装提供垂直平面调整。紧固螺丝前, 透过改变 LF-4215 机罩上的位置可以调整水平平面。)
DI:	9.0 dB (平均 600 到 16,000 赫兹)
Q:	8.0 (平均 600 到 16,000 赫兹)
最大输出：	133 dB SPL 计算峰值, 1 米, 半间距。
阻抗：	8 欧姆标称 8.0 欧姆最小, 3,000 赫兹 104 欧姆最大, 475 赫兹
最大输入功率：	60 瓦 rms (6 dB 振幅因子粉红噪音 100 小时, 500 到 20,000 赫兹, IEC 方式) 80 瓦 rms (6dB 振幅因子粉红噪声 2 小时, 60 到 6,000 赫兹, AES 方式)
灵敏度：	108 dB 半间距, 1 瓦, 1 米
分频频率：	700 赫兹或更高, 每八分音度 24 dB
连接器：	阻挡带螺旋式终端接受高达 #10 AWG 绞合式布线。四个终端 (两个高频输入和两个后补偿高频输出)。高频输出工厂连接到压缩驱动器。
变频器：	1.5" (38 毫米) 出口, 3.0" (76 毫米) 钛隔膜压缩驱动器。
安装硬件：	使用 5/16" -18 x 3/4" 长螺栓连接到低频箱顶部。
尺寸：	30" (宽) X 16" (高) X 20" (深) (762mm X 406mm X 508mm)
重：	50 磅 (运输), 40 磅 (净重), 22.7/18.4 公斤

SPL 和阻抗 vs. 频率



## 保修（仅限美国；其它国家，请联系您的经销商或分销商）

### 声明

QSC Audio Products, Inc. 不承担因疏忽、或不当安装和 / 或不当使用本放大器产品而对扬声器或任何其它设备造成损坏的任何责任。

### QSC Audio Products 3 年有限质保协议。

QSC Audio Products, Inc. (QSC) 担保其产品自销售日起三年内不会发生材料或制造工艺缺陷，若在正常安装和使用条件下发生的损坏，QSC 将按照本质保协议更换有缺陷的零件和维修故障产品 - 但您要将本产品送回我们的工厂或任一授权维修点，预付运送费用并附带一份购买证明即销售收据影印本。此质保协议规定，退回的产品检查必须标明经我们判断的制造缺陷。本质保不适用于任何因误用、疏忽、意外事故、不正确地安装，或日期编码被去掉或破损的产品。QSC 不对意外和 / 或间接发生的损害承担责任。此质保赋予您特定的法律权力。此有限质保在保证期内可自由转让。

在不同的州，顾客可能会有额外的权利。

此质保协议不适用于为出口或不在美国销售而生产的产品。产品上缺少序列号，或者从非授权销售商处购买此产品，将失去此有限质保协议。此质保协议定期更新。请浏览：[www.qscaudio.com](http://www.qscaudio.com)，获得最新版本的 QSC 质保协议声明，联系我们：800-854-4079，或访问我们的网站：[www.qscaudio.com](http://www.qscaudio.com)。

## 联系 QSC Audio Products

通信地址 :QSC Audio Products, Inc.  
1675 MacArthur Boulevard  
Costa Mesa, California 92626-1468 USA

### 电话:

主要号码 (714) 754-6175

销售和市场部门 (714) 957-7100 或免费电话 (仅限美国) (800) 854-4079

客服 (714) 957-7150 或免费电话 (仅限美国) (800) 772-2834

### 传真:

销售与市场部门传真 (714) 754-6174

客服传真 (714) 754-6173

网址 [www.qscaudio.com](http://www.qscaudio.com)

E-mail:[info@qscaudio.com](mailto:info@qscaudio.com)

[service@qscaudio.com](mailto:service@qscaudio.com)

# QSC™

QSC Audio Products, Inc. 1675 MacArthur Boulevard Costa Mesa, California 92626 USA  
©2003, 2004 “QSC” 以及 QSC 的标志在美国专利和商标局注册。



1675 MacArthur Blvd., Costa Mesa, CA 92626

主要号码 (714) 754-6175 销售和部门 (714) 957-7100 或免费电话 (仅限美国)  
(800) 854-4079 客服 (714) 957-7150 或免费电话 (仅限美国) (800) 772-2834

## 影院扬声器系统用户手册

# LF-4115 低频扬声器

### 简介

LF-4115 15" (381 毫米) 的低频机壳专为影院应用设计。LF-4115 和传统“摇滚”低音系统的不同之处在于它可以满足影院对扩展低频响应的要求。根据高频系统的要求, LF-4115 可覆盖 33 赫兹到 1200 赫兹的频率范围。

特别为影院应用设计了定制的 400 瓦, 15" 变频器。它采用 4" (100mm) 音圈, 120 oz. (3.4kg) 陶瓷磁铁和多通风极片 (确保低温运行)。温度低可以增加变频器的寿命, 并且减少高功率下的功率压缩问题。低切极片确保音圈在对称磁隙 (SMG) 中运行, 从而减少了二次谐波失真。变频器的支架和音圈可在高功率下提供低失真和高重低音。

机罩由优质中等密度纤维板制成, 六个面板都有加强支架支持。内部和外部端口开口都经过全辐射处理, 确保气流在较高功率下可以平稳通过端口, 防止了声音端口气流紊乱。

低音端口均匀地分布在变频器两侧, 使通过变频器背表面的内部压力更加一致。这样就防止了圆锥由于力量失衡而被错误地放置在一边或另一边, 从而减少了高功率下将音圈赶出空隙中心的情况。

机罩上部的 3 个 T 形螺母使得安装 QSC 的 HF-75 高频系统或 MH-1063 中高频系统更加容易。



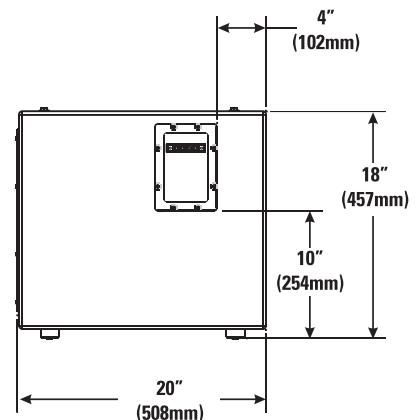
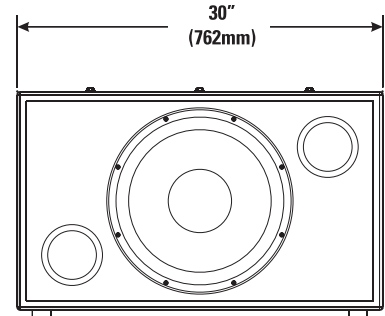
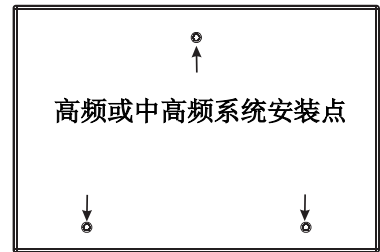
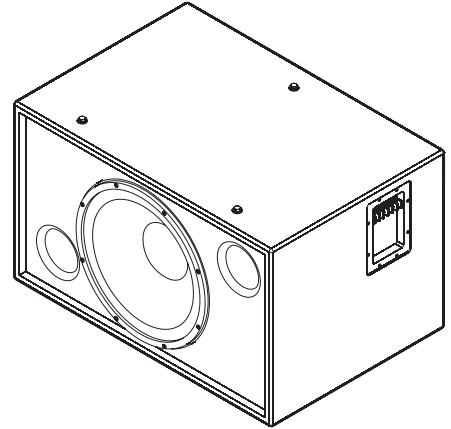
**机罩并没有设计成悬挂式、可操纵式、或装配式。请勿对此机罩进行悬挂、操纵或装配。**

此产品可产生对人类听觉造成永久损伤的声压强度。请将听音区域内的声压强度总是保持在不会对人的听力造成损伤的水平。

按照 QSC Audio Product 的说明并在授权的专业工程师的指导下安装。仅限使用 QSC Audio Product 公司规定的附件、底座、零件或支架。所有维护请由合格的专业人士进行。设备如果受到损坏, 就需要进行维修。



**警告! 放置、安装、装配、或悬挂扬声器产品时, 检查所有硬件、悬架、搁柜、变频器、支架和相关设备有无损坏。任何额定部件的缺失、腐蚀、变形或未装载都可能大大降低安装、放置或排列的强度。出现任何严重降低安装安全度的情况应立即更正。仅限使用额定安装的硬件及任何可能的短期突发超载。切勿超过硬件或设备的额定标准。如有任何关于物理设备安装的疑问或问题, 请咨询获得许可的专业工程师。**



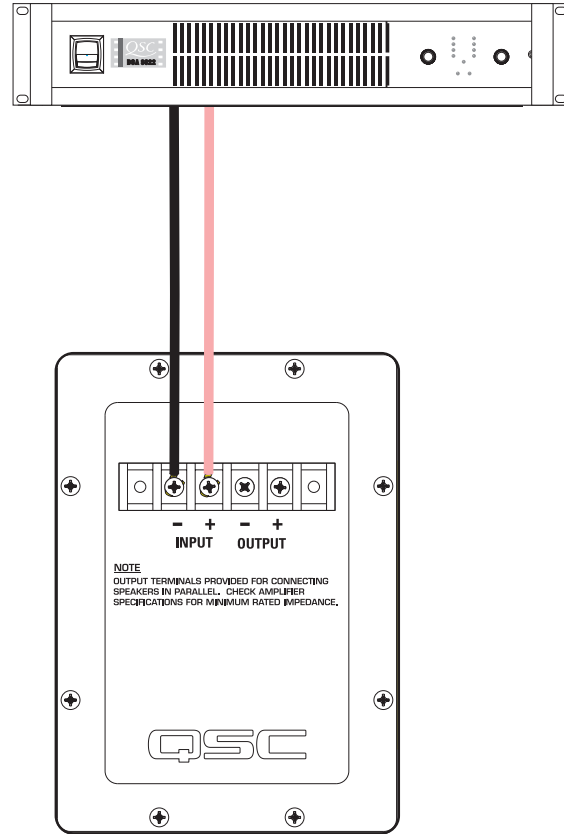


# 连接

## 正常连接

LF-4115 具有用于连接的阻挡带螺旋式终端。此终端接受高达 #10 AWG (5.3mm<sup>2</sup>) 的绞合式扬声器电线。对于特定的安装，尽可能使用最大电线尺寸和最短电线长度。观察极性标志，确保整个系统极性一致，以便获得最佳表现。

## 正常连接样例

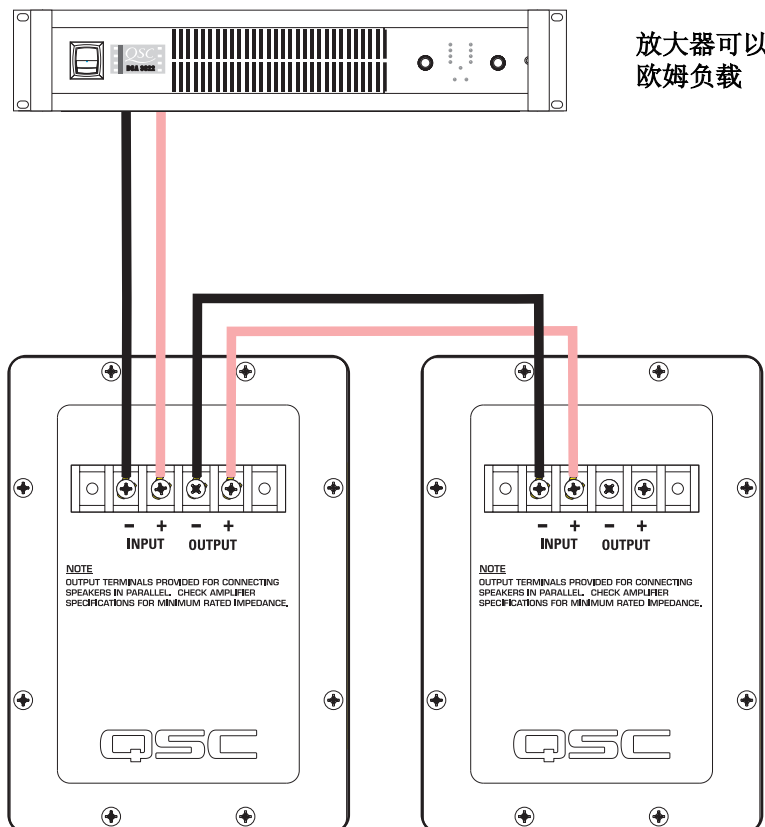


放大器可以带动 4 欧姆负载

## 第二个 LF-4115 并联

标有 OUTPUT 的终端可用于并联另一个 LF-4115。按照右图所示连接线路。

## 并联样例



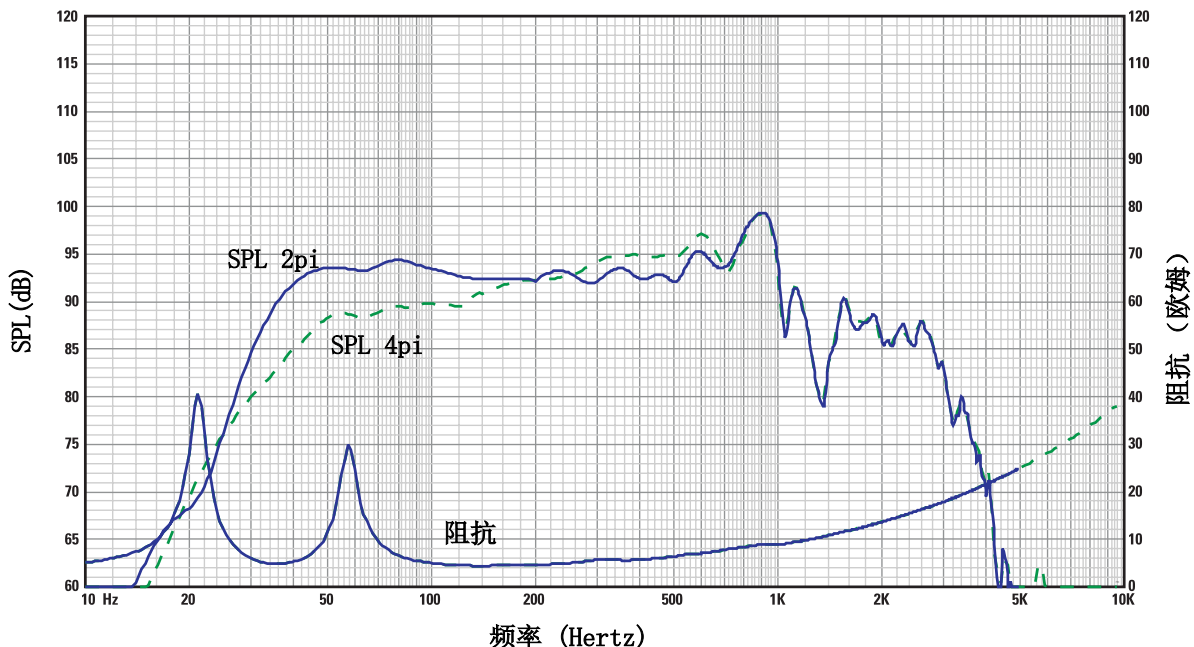
放大器可以带动 2 欧姆负载



## LF-4115 产品规格 (如有改变恕不另行通告)

频率范围:	33 - 1200 赫兹 (-6dB) 29 - 3000 赫兹可用范围 (-10dB)
标称覆盖范围:	1000 赫兹时 100° 水平 X 100° 垂直
最大输出:	127.0 dB SPL 计算峰值, 1 米, 半间距, 在额定 rms 功率带 6 dB 振幅因子粉红噪音输入, 35 - 1000 赫兹。 121.0dBA SPL 计算最大连续, 1 米。通常使用 dBA 尺以确定会造成永久听力损失的声源。
阻抗:	标称 4 欧姆 最小 4.3 欧姆, 160 赫兹 最大 40 欧姆, 22 赫兹
最大输入功率:	400 瓦 rms (6 dB 振幅因子粉红噪音 8 小时, 40 - 400 赫兹) 600 瓦 rms (6 dB 振幅因子粉红噪音 2 小时, 40 - 400 赫兹) 推荐放大器功率 - 1100 瓦 rms 最大到 4 欧姆 (每 LF-4115)
灵敏度:	93.5dB 半间距, 92.0dB 全间距, 35 - 1000 赫兹, 1 瓦, 1 米
推荐处理:	次音速过滤低于 30 赫兹, 每八度音程大于 18 dB 最大推荐分频频率为 1000 赫兹。从 <a href="http://www.qscaudio.com">www.qscaudio.com</a> 网站可获得 QSC DSP 的配置情况。如有要求即可获得替换处理硬件的参数。
连接器:	阻挡带螺旋式终端接受高达 #10 AWG (5.3mm <sup>2</sup> ) 绞合式布线。四个终端 (两个 INPUT 和两个并行 OUTPUT)。
变频器:	15" (381 毫米) 高效低频变频器通风式 4" (100 毫米) Kapton? 线圈架上的铜音圈。高偏移 / 低失真设计, 带超高功率处理, 以及低温和端口压缩。
机罩:	类似的 B4 对齐, 端口机罩带全喇叭形端口, 低紊乱对称端口设计, 调整为 36 赫兹, 由中密度纤维板和重型支撑构成。具有防破坏低音喇叭安装螺丝的特点。
尺寸:	30" (宽) X 18" (高) X 20" (深) (762mm X 457mm X 508mm)
重量:	96 lbs. 运输, 83 lbs. 净重 (44/38 kg.)

SPL 和阻抗 vs. 频率



## 保修（仅限美国；其它国家，请联系您的经销商或分销商）

### 声明

QSC Audio Products, Inc. 不承担因疏忽、或不当安装和 / 或不当使用本放大器产品而对扬声器或任何其它设备造成损坏的任何责任。

### QSC Audio Products 3 年有限质保协议。

QSC Audio Products, Inc. (QSC) 担保其产品自销售日起三年内不会发生材料或制造工艺缺陷，若在正常安装和使用条件下发生的损坏，QSC 将按照本质保协议更换有缺陷的零件和维修故障产品 - 但您要将本产品送回我们的工厂或任一授权维修点，预付运送费用并附带一份购买证明即销售收据影印本。此质保协议规定，退回的产品检查必须标明经我们判断的制造缺陷。本质保不适用于任何因误用、疏忽、意外事故、不正确地安装，或日期编码被去掉或破损的产品。QSC 不对意外和 / 或间接发生的损害承担责任。此质保赋予您特定的法律权力。此有限质保在保证期内可自由转让。

在不同的州，顾客可能会有额外的权利。

此质保协议不适用于为出口或不在美国销售而生产的产品。产品上缺少序列号，或者从非授权销售商处购买此产品，将失去此有限质保协议。此质保协议定期更新。请浏览：[www.qscaudio.com](http://www.qscaudio.com)，获得最新版本的 QSC 质保协议声明，联系我们：800-854-4079，或访问我们的网站：[www.qscaudio.com](http://www.qscaudio.com)。

## 联系 QSC Audio Products

通信地址 :QSC Audio Products, Inc.  
1675 MacArthur Boulevard  
Costa Mesa, California 92626-1468 USA

### 电话:

主要号码 (714) 754-6175

销售和市场部门 (714) 957-7100 或免费电话 (仅限美国) (800) 854-4079

客服 (714) 957-7150 或免费电话 (仅限美国) (800) 772-2834

### 传真:

销售与市场部门传真 (714) 754-6174

客服传真 (714) 754-6173

网址 [www.qscaudio.com](http://www.qscaudio.com)

E-mail:[info@qscaudio.com](mailto:info@qscaudio.com)

[service@qscaudio.com](mailto:service@qscaudio.com)



QSC Audio Products, Inc. 1675 MacArthur Boulevard Costa Mesa, California 92626 USA

©2004 “QSC” 以及 QSC 的标志在美国专利和商标局注册。

Kapton® 为 E. I. du Pont de Nemours and Company 的注册商标。