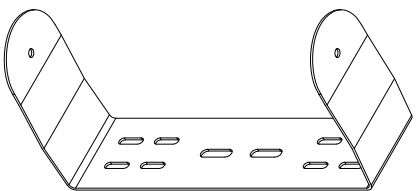
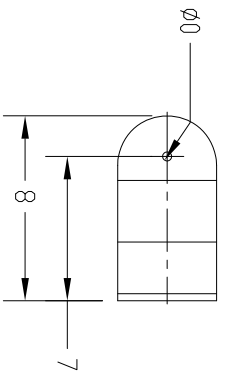
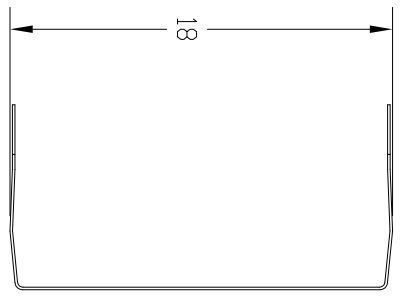
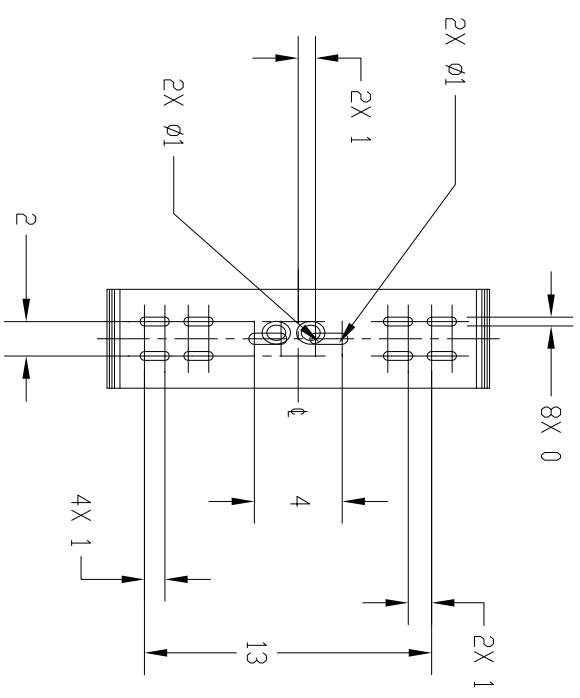


THIS DOCUMENT CONTAINS PROPRIETARY INFORMATION WHICH IS THE PROPERTY OF QSC AUDIO PRODUCTS. THAT MAY NOT BE DISCLOSED, REPRODUCED OR USED WITHOUT EXPRESS WRITTEN CONSENT FROM QSC AUDIO PRODUCTS.

REV		ECD		DESCRIPTION		BY	EFF DATE	ISSUED
A	-	-	RELEASE			DNS	-	-



- PARTS ARE SYMMETRICAL ABOUT CENTER LINES UNLESS OTHERWISE NOTED.
- TOLERANCES (MM): X ± 3, ANGLES: ± 1°
- NET WEIGHT APPROX. 2.1 KG (5 LBS)
- NOTE: UNLESS OTHERWISE SPECIFIED

UNLESS OTHERWISE SPECIFIED DIMENSIONS IN MILLIMETERS (IN)	
TOLERANCES ARE:	
DECIMALS	DECIMALS
ANGLES	ANGLES
± 0.02	± 0.12
± 0.25	± 1.00
DEBURRED EDGES .25 (0.010) R MAX	
MATERIAL	
FINISH	

APPROVALS	DATE (DD-MM-YY)
DRAWN: D. SIMPSON	15-FEB-13
CHECKED:	
ENG: FG	
QA CHECK:	

QSC ACCESSORY, YOKE MOUNT, S8T

QSC AUDIO PRODUCTS, LLC
1675 MACARTHUR BOULEVARD
COSTA MESA, CA 92626

SIZE: B	CAGE CODE: 00P/W4	DRAWING NO.: FG-001205-2D	REV: A
MODEL INFO: FG-000391-3D.B0	SCALE: 0:156	DD NOT SCALE DRAWING	SHEET: 1 OF 1