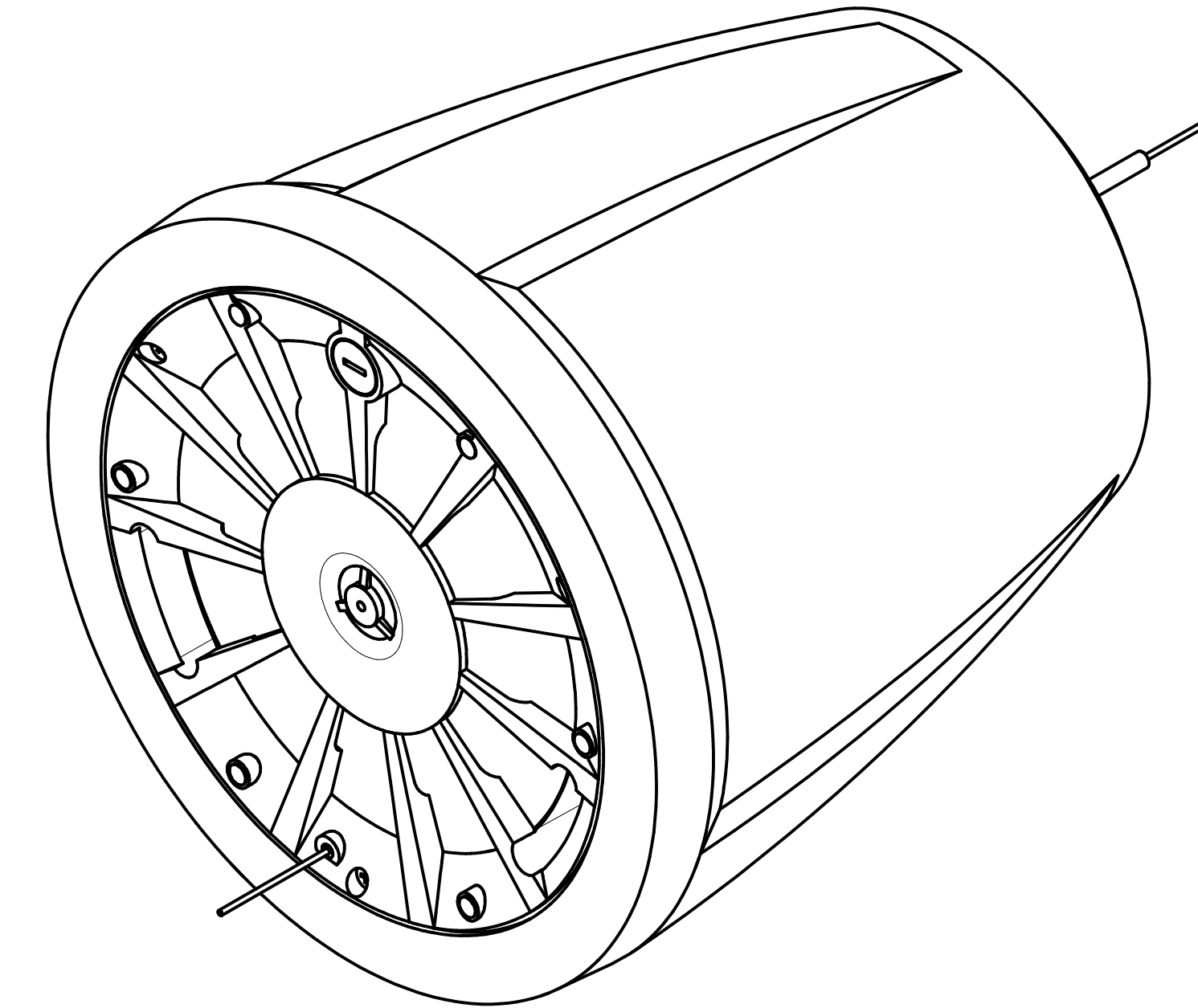
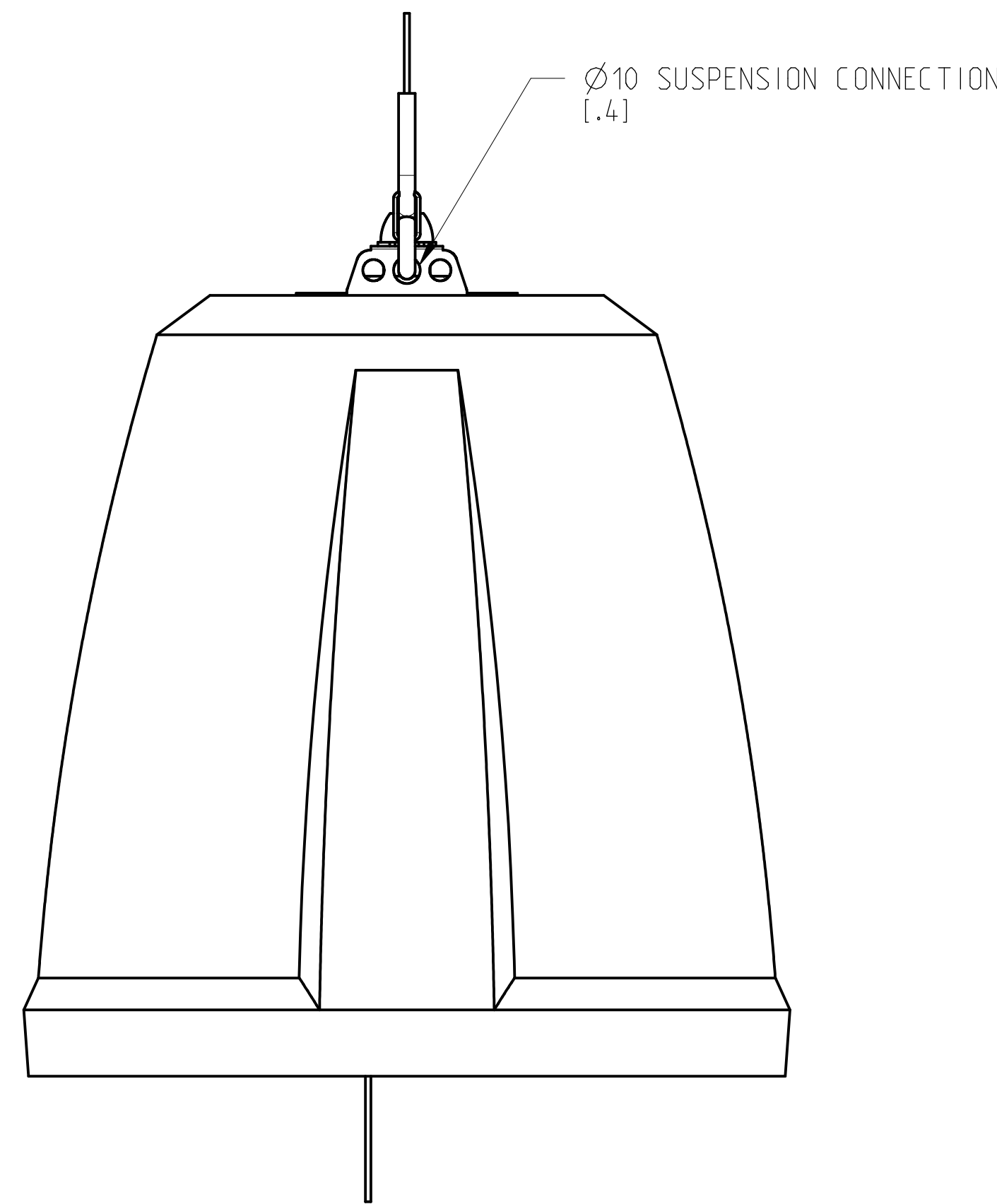


THIS DOCUMENT CONTAINS PROPRIETARY INFORMATION WHICH IS THE PROPERTY OF QSC, LLC. THAT MAY NOT BE DISCLOSED, REPRODUCED OR USED WITHOUT EXPRESS WRITTEN CONSENT FROM QSC, LLC.

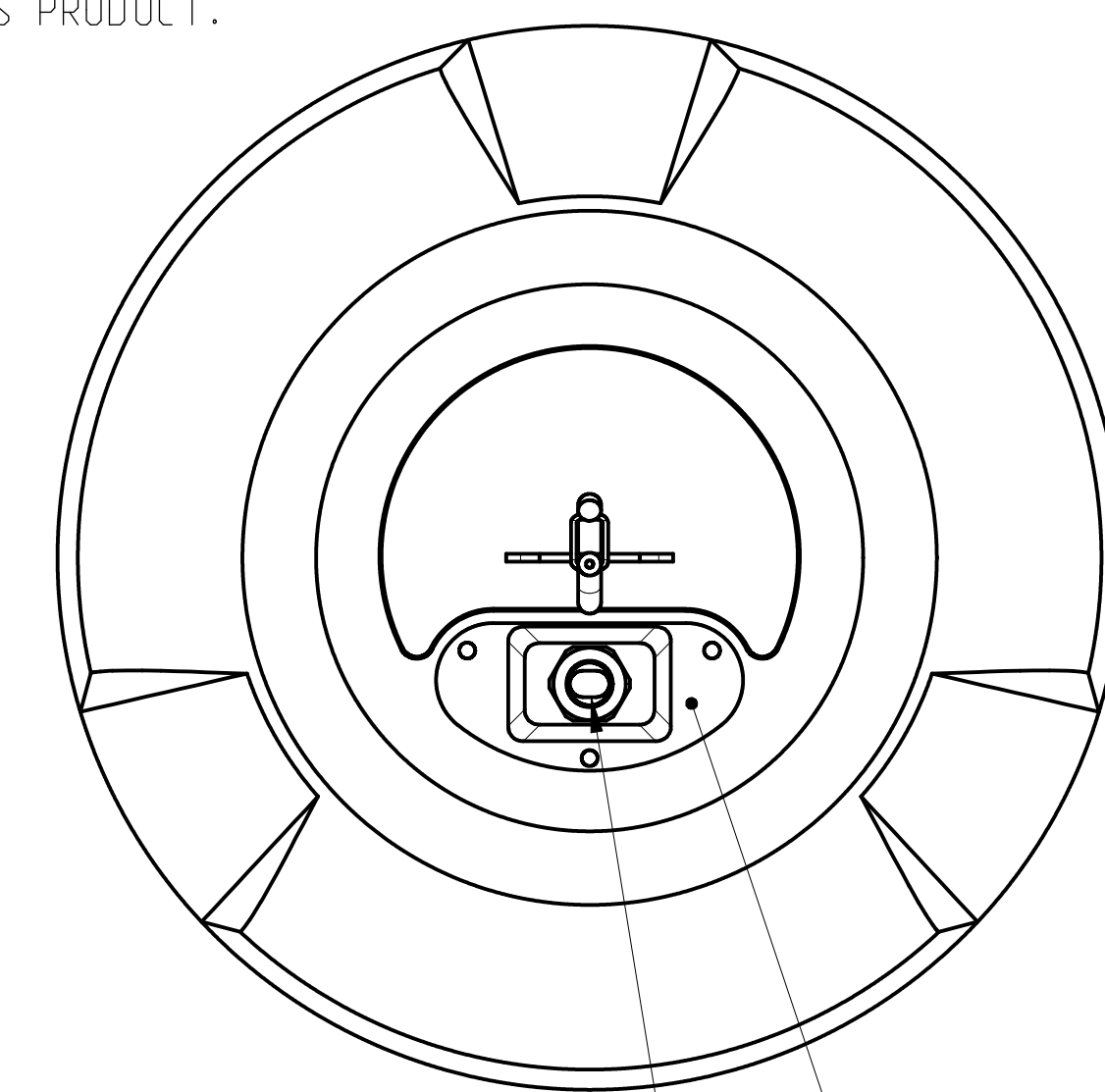
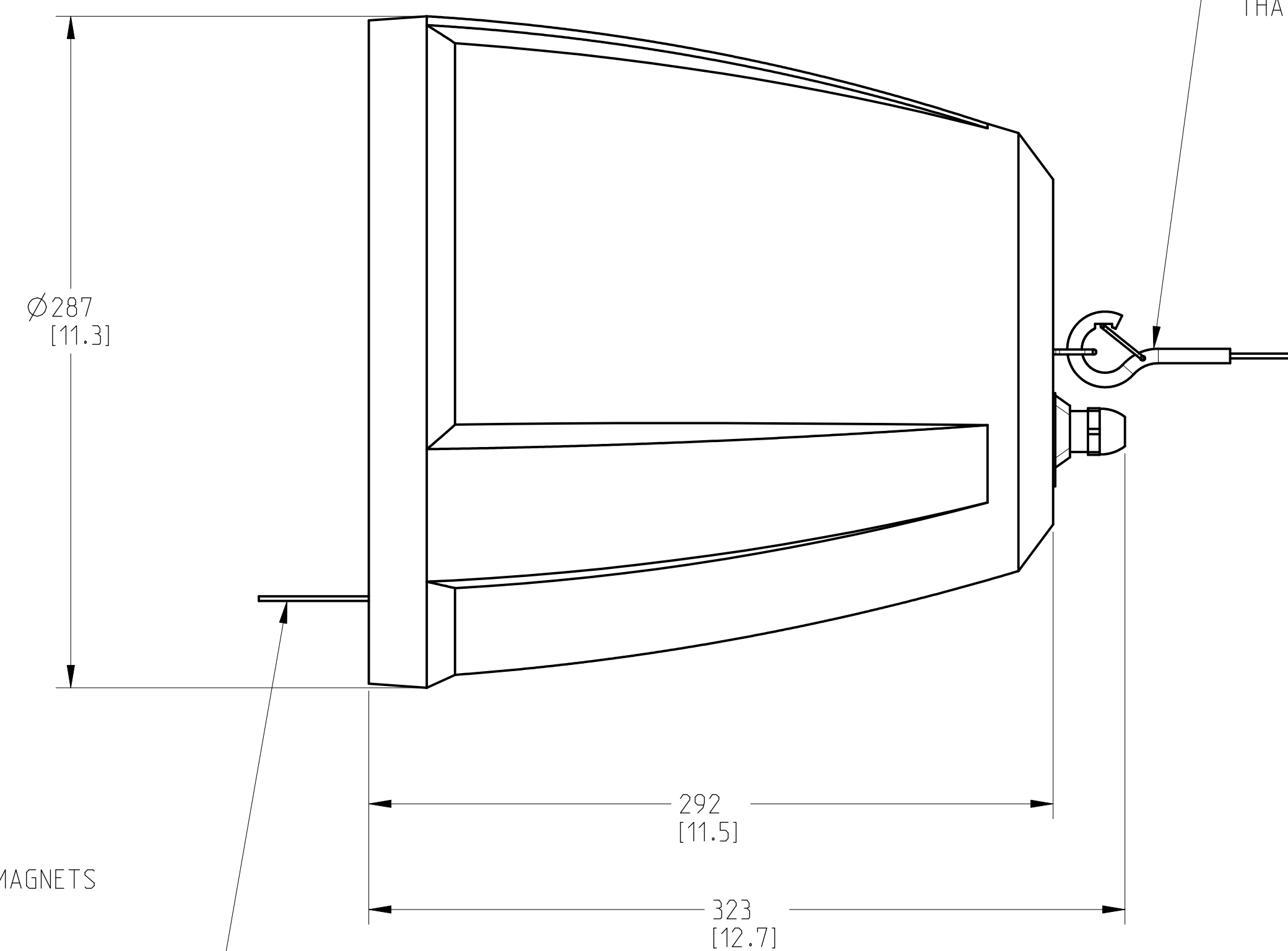
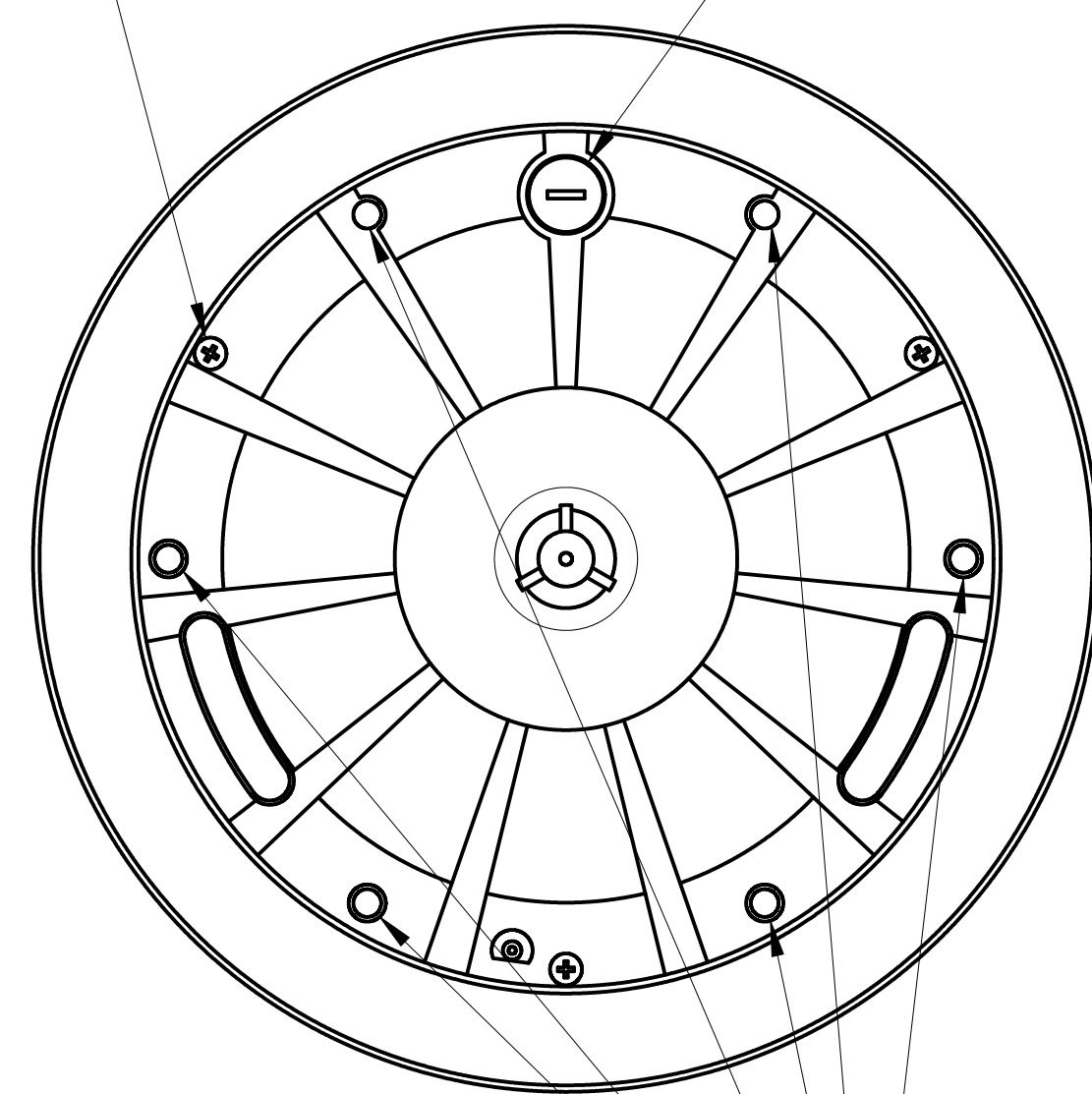
REVISIONS			
REV	DESCRIPTION	BY	DATE
A	RELEASE FOR SALES AND MARKETING	ES	17-MAY-16



3X LOUSPEAKER MOUNTING SCREWS

TAP SWITCH

SUSPENSION DEVICE;
REFERENCE THE ASSEMBLY INSTRUCTIONS
THAT SHIPPED WITH THIS PRODUCT.



REMOVABLE COVER
(CUSTOMER CONNECTION INSIDE)

WIRE ENTRY
7.1 X 3.6 SLOT
[.28] [.14]

GRILLE-MOUNT MAGNETS

GRILLE SAFETY TETHER

4. DIMENSIONS ARE IN MILLIMETER [INCH].
 3. GRILLE NOT SHOWN FOR CLARITY.
 2. TOLERANCES (MM): $X \pm 3$, ANGLES: $\pm 1^\circ$
 1. NET WEIGHT APPROXIMATELY 4.08 KG [9.0 LBS].
- NOTES: UNLESS OTHERWISE SPECIFIED.

UNLESS OTHERWISE SPECIFIED DIMENSIONS IN MILLIMETERS (IN) TOLERANCES ARE: DECIMALS DECIMALS ANGLES XX±.5(.02) XX±.25(.010) ± 1/2 DECURR EDGES .25 (1.010) R MAX MATERIAL FINISH	DESIGNER ENG. SERVICES	QSC, LLC 1675 MACARTHUR BOULEVARD COSTA MESA, CA 92626	SPEAKER, AD-P6T, FINISHED	SIZE	CAGE CODE	DRAWING NO.	REV
	ENGINEER			D	00PW4	FG-001610-2D	A
	TECHNICAL DIRECTOR	DRAWING INFO: FG-001610-2D.A.0	SCALE: 0.500	DO NOT SCALE DRAWING	SHEET	1 OF 1	
	MANUFACTURING ENGINEER	MODEL INFO: FG-001610-3D.A.0					