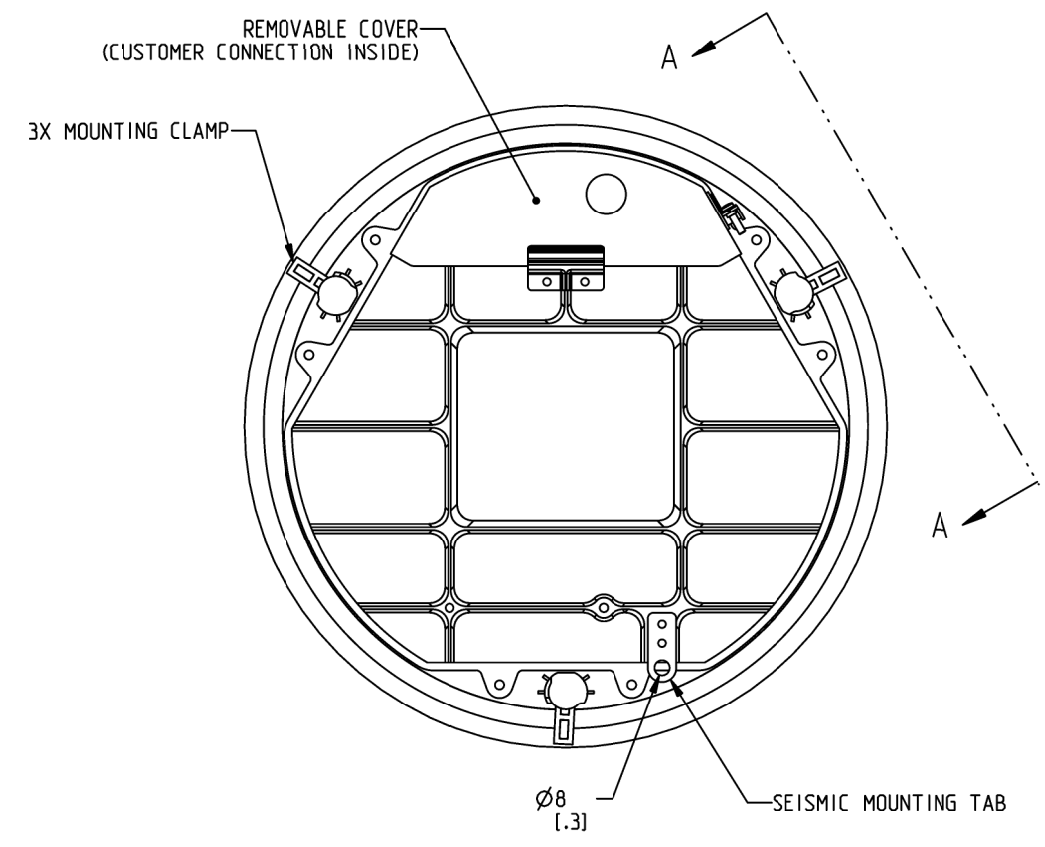
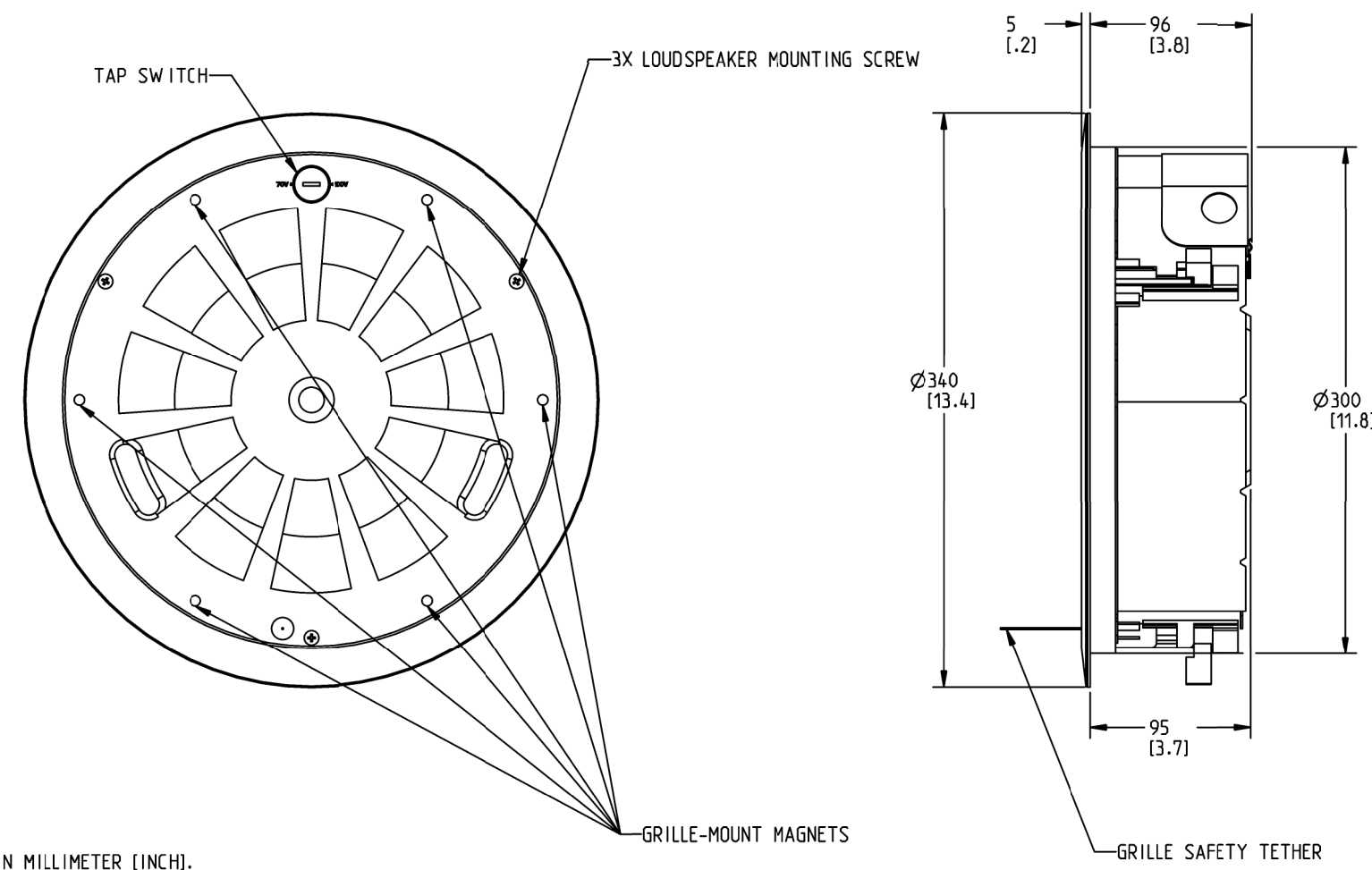
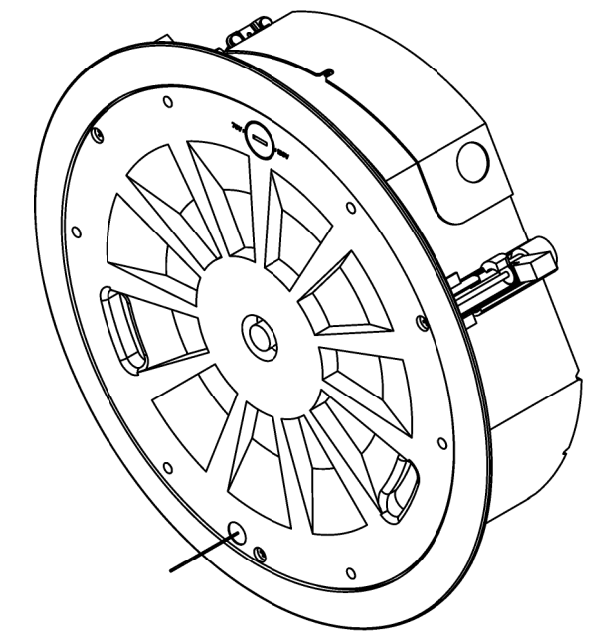
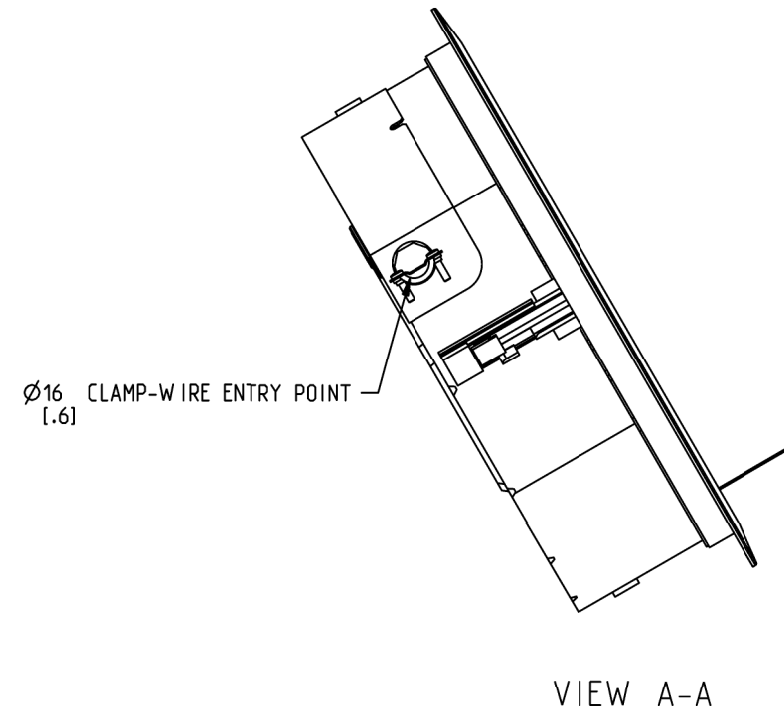


THIS DOCUMENT CONTAINS PROPRIETARY INFORMATION WHICH IS THE PROPERTY OF QSC, LLC. THAT MAY NOT BE DISCLOSED, REPRODUCED OR USED WITHOUT EXPRESS WRITTEN CONSENT FROM QSC, LLC.

REVISIONS			
REV	DESCRIPTION	BY	DATE
A	RELEASE FOR SALES AND MARKETING	ES	22-MAR-16



4. DIMENSIONS ARE IN MILLIMETER [INCH].
 3. GRILLE NOT SHOWN FOR CLARITY.
 2. TOLERANCES (MM): X±1, ANGLES: ±1°
 1. NET WEIGHT APPROXIMATELY 4.2 KG [9.3 LBS].
- NOTES: UNLESS OTHERWISE SPECIFIED.

UNLESS OTHERWISE SPECIFIED DIMENSIONS IN MILLIMETERS (IN) TOLERANCES ARE: DECIMALS .XX±.02 ANGLES ±1/2 DEBURR EDGES .25 [.010] R MAX MATERIAL FINISH	DESIGNER ENG. SERVICES	QSC QSC, LLC 1675 MACARTHUR BOULEVARD COSTA MESA, CA 92626	SPEAKER, AD-C6T-LP, FINISHED		
	ENGINEER				
	TECHNICAL DIRECTOR	SIZE D	CAGE CODE OOPW 4	DRAWING NO. FG-001608-2D	REV A
	MANUFACTURING ENGINEER	DRAWING INFO: FG-001608-2D.A.1	SCALE: 0.500	DO NOT SCALE DRAWING SHEET	1 OF 1
	MODEL INFO: FG-001608-3D.A.0				