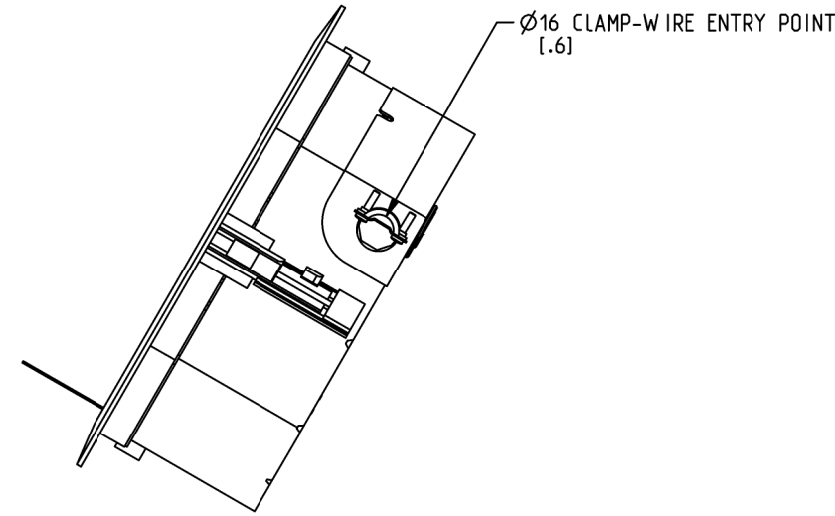
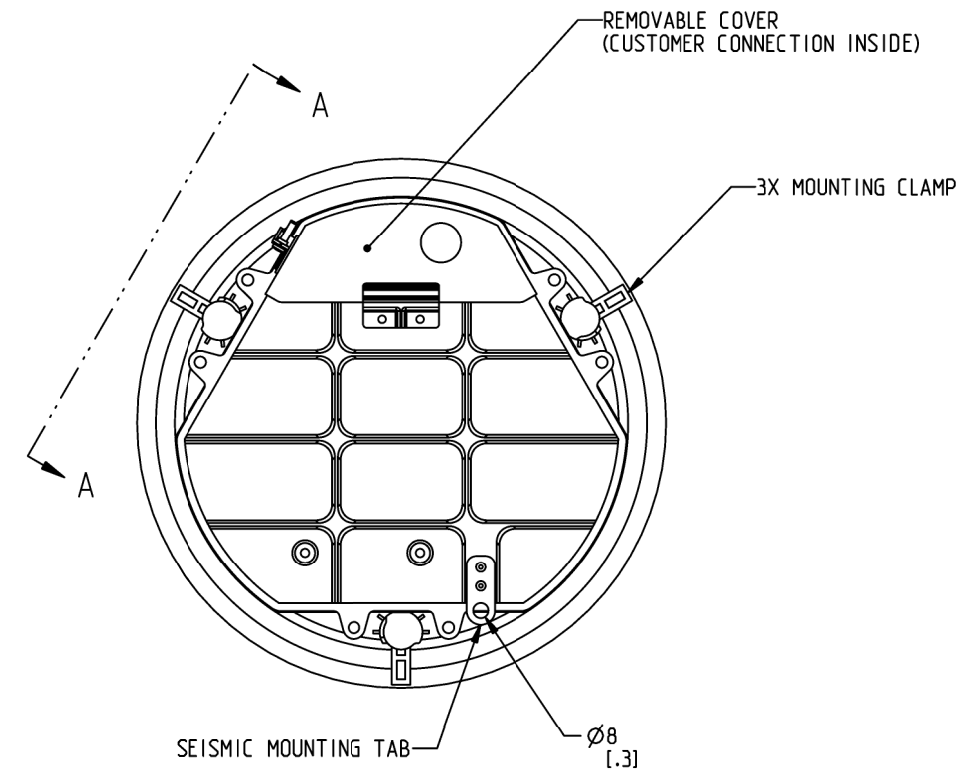
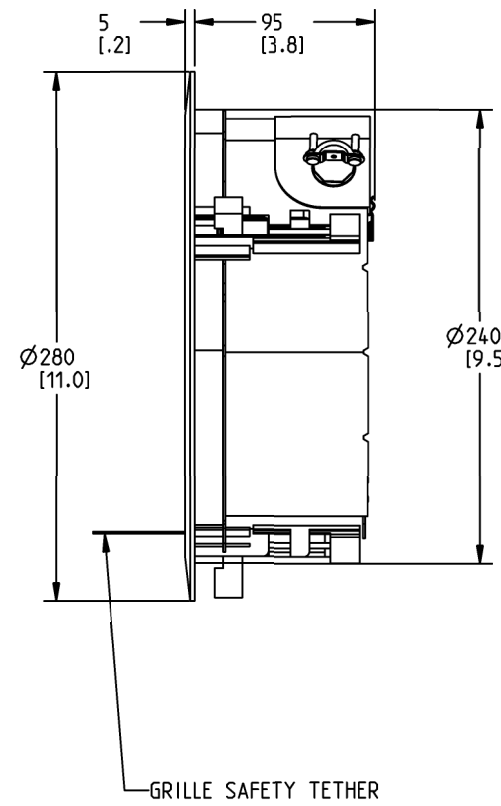
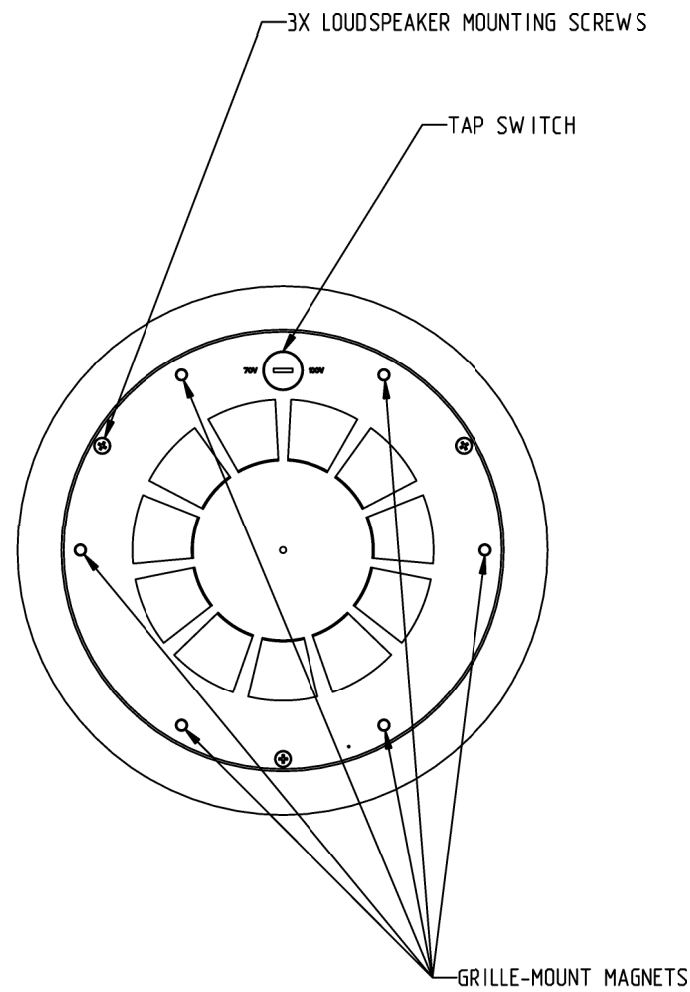
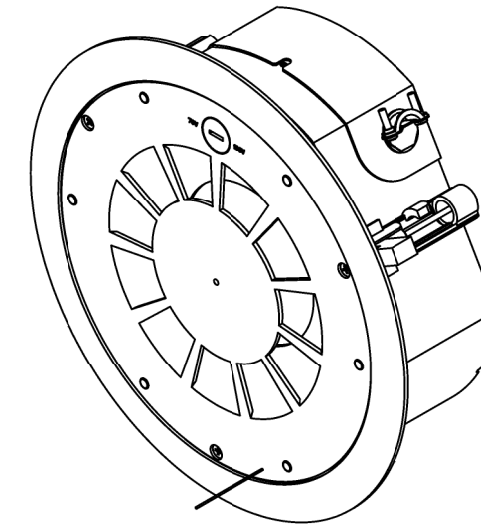


THIS DOCUMENT CONTAINS PROPRIETARY INFORMATION WHICH IS THE PROPERTY OF QSC, LLC. THAT MAY NOT BE DISCLOSED, REPRODUCED OR USED WITHOUT EXPRESS WRITTEN CONSENT FROM QSC, LLC.

REVISIONS			
REV	DESCRIPTION	BY	DATE
A	RELEASE FOR SALES AND MARKETING	ES	22-MAR-16



VIEW A-A



4. DIMENSIONS ARE IN MILLIMETER [INCH].
 3. GRILLE NOT SHOWN FOR CLARITY.
 2. TOLERANCES (MM): X±1, ANGLES: ±1°
 1. NET WEIGHT APPROXIMATELY 2.9 KG [6.4 LBS].
- NOTES: UNLESS OTHERWISE SPECIFIED.

UNLESS OTHERWISE SPECIFIED DIMENSIONS IN MILLIMETERS (IN) TOLERANCES ARE: DECIMALS .XX±.021 ANGLES ±1/2 DEBURR EDGES .25 [0.010] R MAX MATERIAL FINISH	DESIGNER	QSC, LLC	
	ENG. SERVICES	1675 MACARTHUR BOULEVARD	
	ENGINEER	COSTA MESA, CA 92626	
	TECHNICAL DIRECTOR	SPEAKER, AD-C4T-LP, FINISHED	
MANUFACTURING ENGINEER	SIZE	CAGE CODE	DRAWING NO.
DRAWING INFO: FG-001406-2D.A.2	D	00PW4	FG-001406-2D
MODEL INFO: FG-001406-3D.A.1	SCALE: 0.500	DO NOT SCALE DRAWING	SHEET 1 OF 1