
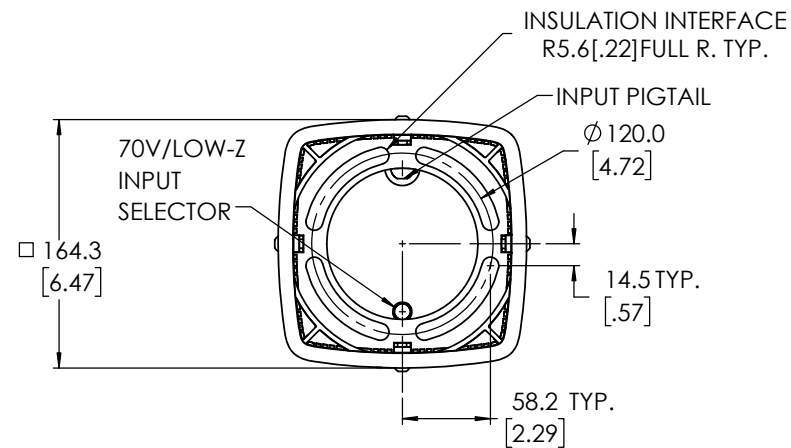
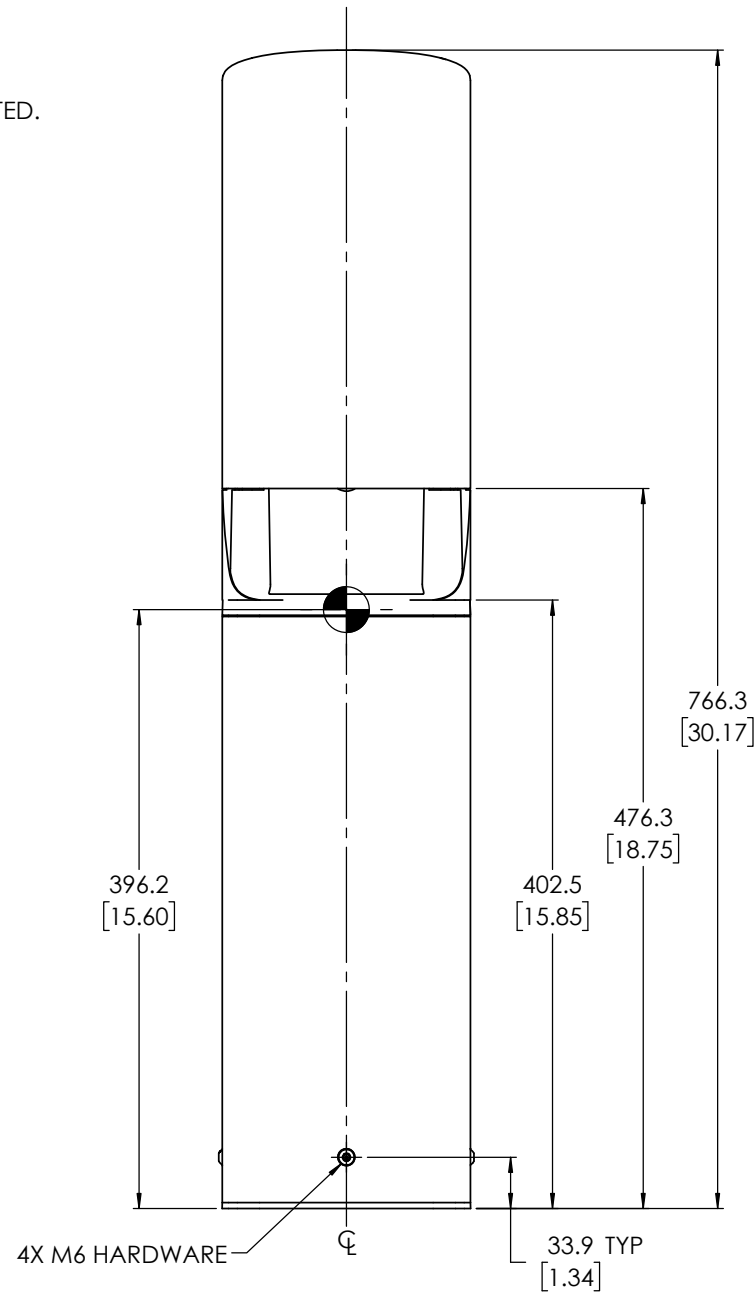


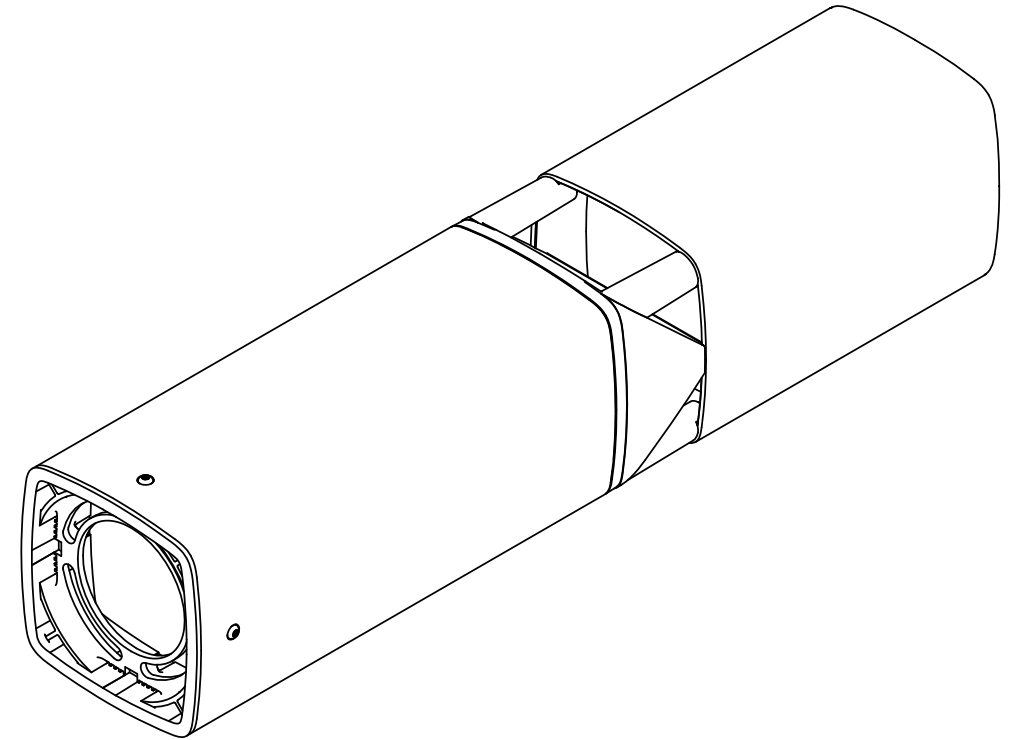
THIS DOCUMENT CONTAINS CONFIDENTIAL OR PROPRIETARY INFORMATION WHICH IS THE PROPERTY OF QSC, LLC THAT MAY NOT BE DISCLOSED, REPRODUCED OR USED WITHOUT EXPRESS WRITTEN CONSENT FROM QSC, LLC. NO PORTION OF THIS DOCUMENT MAY BE REPRODUCED, REDISTRIBUTED, OR OTHERWISE DISCLOSED TO ANY THIRD PARTY WITHOUT QSC'S WRITTEN PERMISSION.


NOTES: UNLESS OTHERWISE SPECIFIED

1. NET WEIGHT APPROX. 7.53 KG [16.6 LBS].
2. PARTS ARE SYMMETRICAL ABOUT CENTER LINES UNLESS OTHERWISE NOTED.
3. SYMBOL  INDICATES CENTER OF GRAVITY.



REVISIONS			
REV	DESCRIPTION	BY	DATE
A	RELEASE FOR SALES AND MARKETING	MD	29-JUN-22



UNLESS OTHERWISE SPECIFIED DIMENSIONS ARE IN MM [IN] TOLERANCES ARE:	
DECIMALS .X ± 3.0 [.12]	ANGLES ± 1°
MATERIAL N/A	FINISH N/A
DO NOT SCALE DRAWING	
PROJECTION SYMBOL 	

CAD GENERATED DRAWING DO NOT MANUALLY UPDATE	
APPROVALS	
DRAWN BY M. DAVILA MECH ENGINEER	T. AMUNDSON TECH DIRECTOR
R. LAZZARI MFG ENGINEER	M. LUO

<b>QSC</b> QSC, LLC 1675 MACARTHUR BOULEVARD COSTA MESA, CA 92626 USA	
LOUDSPEAKER, AD-DWL .360, 5.25" TWO-WAY LANDSCAPE BOLLARD, 360 DEG COVERAGE	
SIZE B	CAGE CODE 00PW4
DWG. NO. FG-901534-2D	REV A
SCALE: 1:5	CAD FILE: FG-901534-2D
SHEET: 1 OF 1	