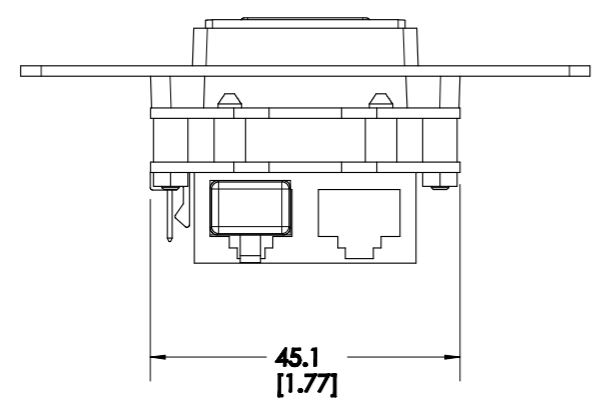
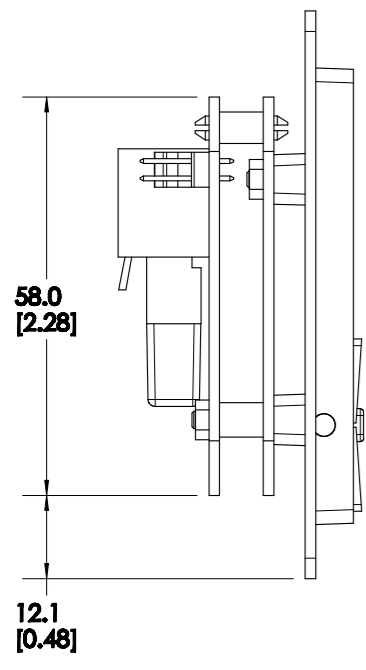
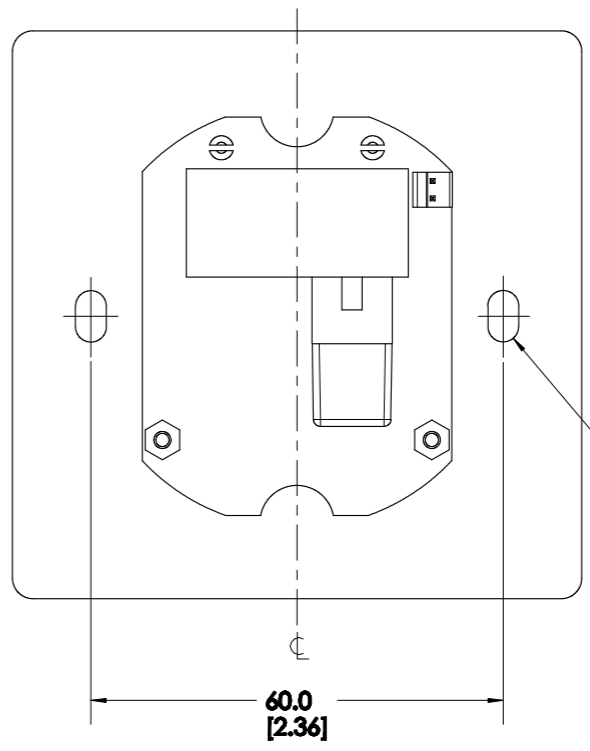
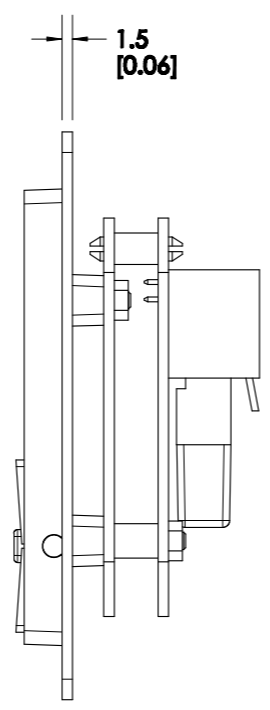
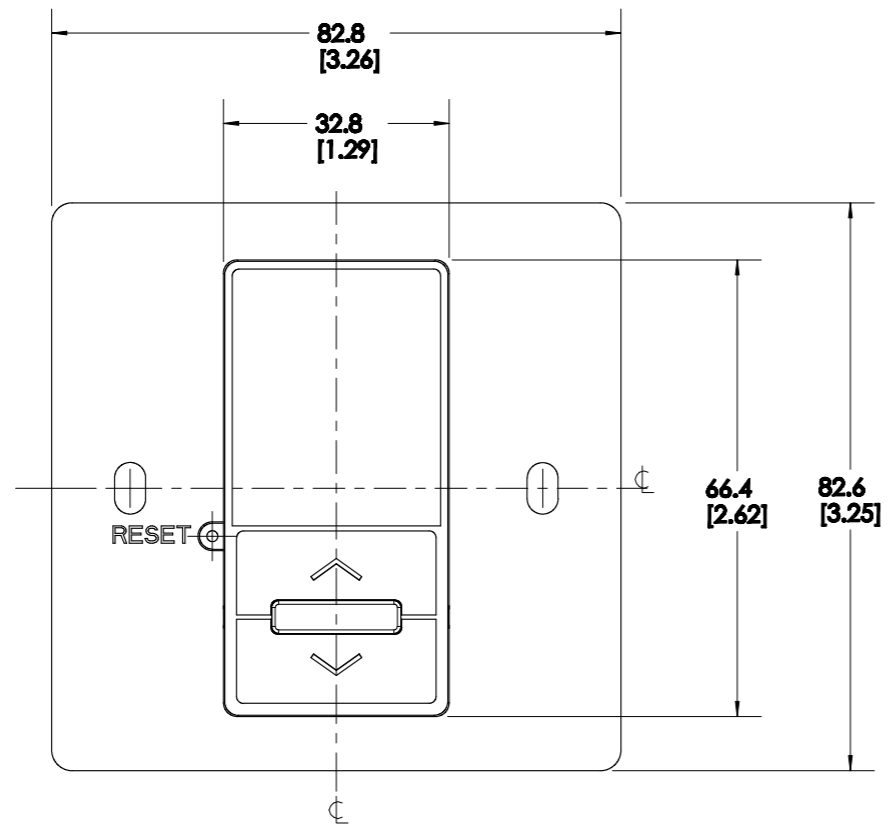
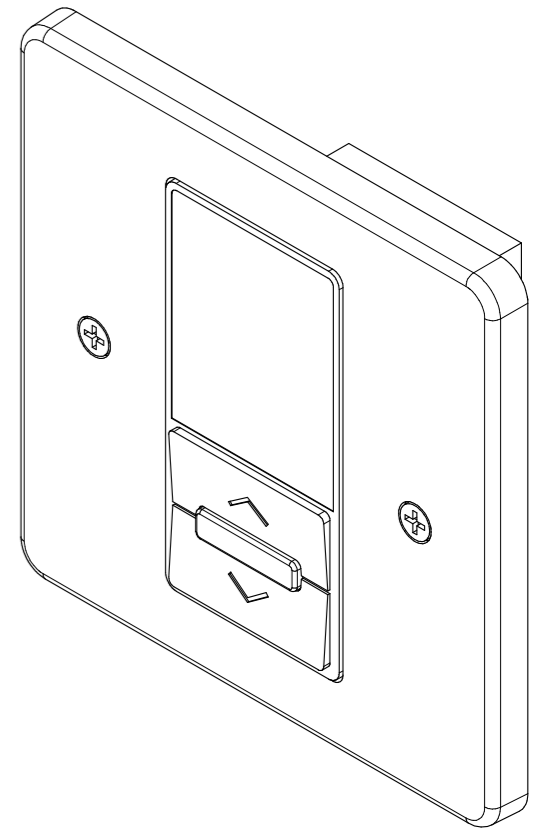
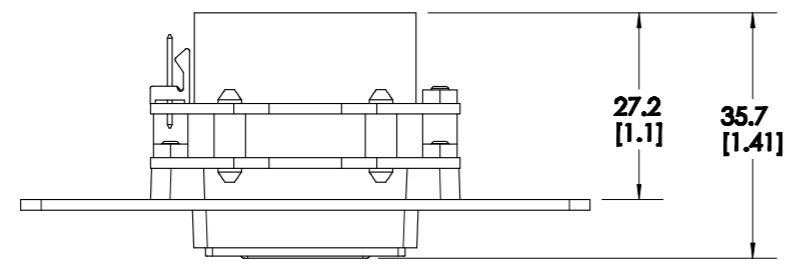


REV		DESCRIPTION	BY	DATE
A	INITIAL RELEASE		ES	18-APR-18



UNLESS OTHERWISE SPECIFIED DIMENSIONS ARE IN MM [IN] TOLERANCES ARE:

DECIMALS	ANGLES
X ± 3 [.12]	± 1°

MATERIAL	N/A
FINISH	N/A
DO NOT SCALE DRAWING	
PROJECTION SYMBOL	

CAD GENERATED DRAWING DO NOT MANUALLY UPDATE	
APPROVALS	
DRAWN BY	C. SUVARNA
MECH ENGINEER	D. SIMPSON
TECH DIRECTOR	S. NENADIC
MFG ENG	C. YOMOGIDA

QSC QSC, LLC
1675 MACARTHUR BOULEVARD
COSTA MESA, CA 92626 USA

**MIXER, MP-MFC-EU,
MUSIC & PAGING,
INTERNATIONAL**

SIZE	CAGE CODE	DWG. NO.	REV
B	00PW4	FG-901150-EU-2D	A
SCALE	1:1	CAD FILE: FG-901150-EU-2D.A.1	SHEET: 1 OF 1

1. NET WEIGHT APPROX. 0.09 KG [0.2 LBS]
NOTES: UNLESS OTHERWISE SPECIFIED.