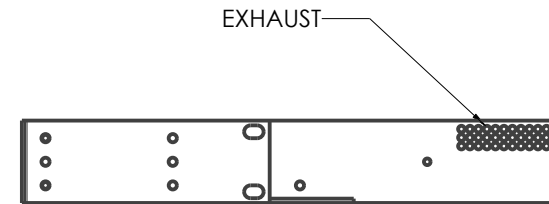
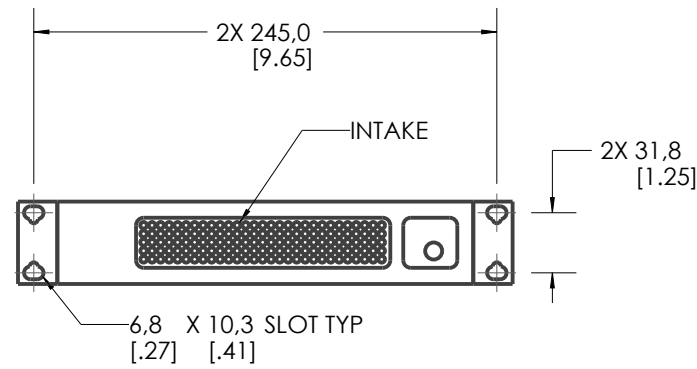
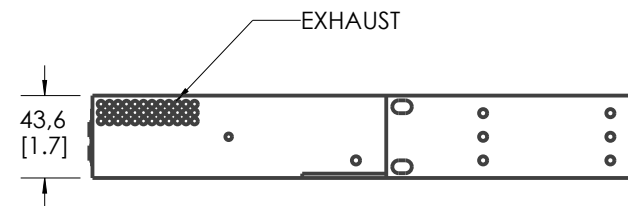
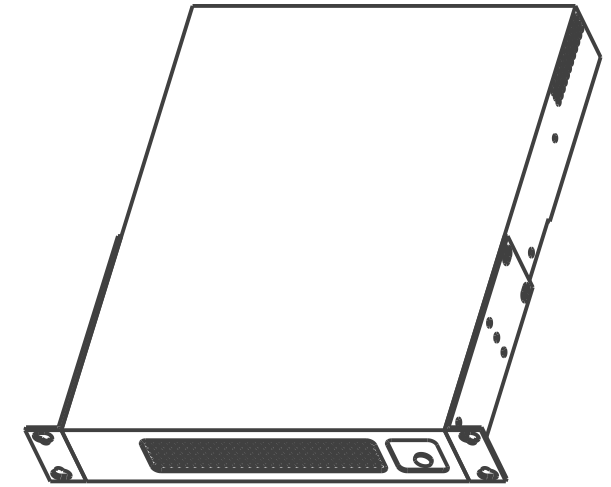
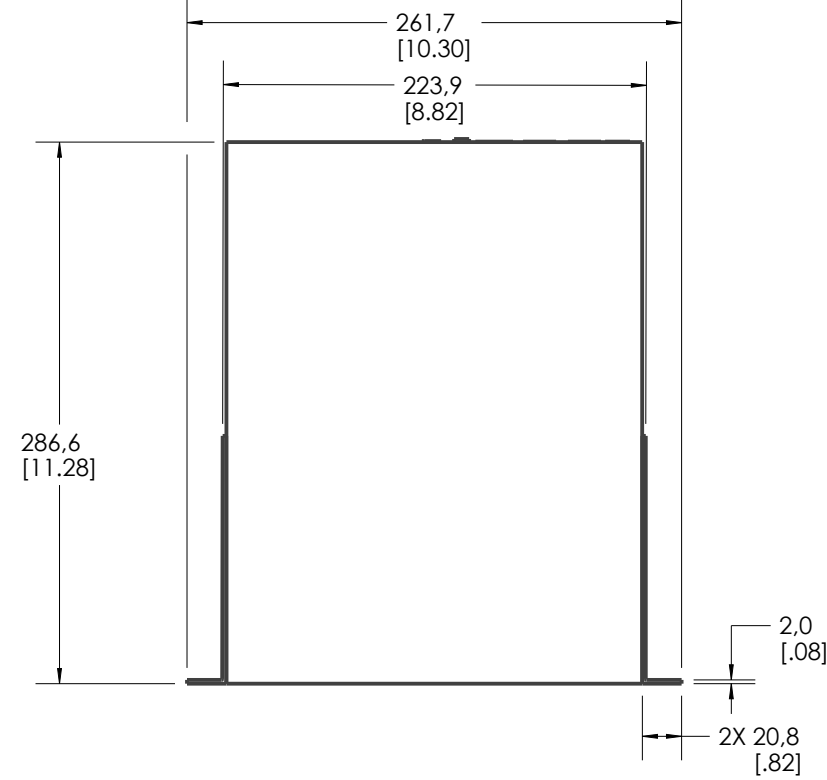


THIS DOCUMENT CONTAINS CONFIDENTIAL OR PROPRIETARY INFORMATION WHICH IS THE PROPERTY OF QSC, LLC, THAT MAY NOT BE DISCLOSED, REPRODUCED OR USED WITHOUT EXPRESS WRITTEN CONSENT FROM QSC, LLC. NO PORTION OF THIS DOCUMENT MAY BE REPRODUCED, REDISTRIBUTED, OR OTHERWISE DISCLOSED TO ANY THIRD PARTY WITHOUT QSC'S WRITTEN PERMISSION.

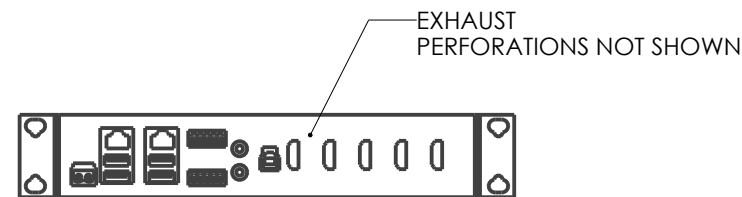
NOTES: UNLESS OTHERWISE SPECIFIED

- NET WEIGHT WITH HARDWARE SHOWN APPROXIMATELY 2.1 KG. [4.7 LBS.].
- PARTS ARE SYMMETRICAL ABOUT CENTER LINES UNLESS OTHERWISE NOTED.

REVISION			
REV	DESCRIPTION	BY	DATE
A	INITIAL RELEASE	SS	5-OCT-20



FRONT VIEW



REAR VIEW

UNLESS OTHERWISE SPECIFIED DIMENSIONS ARE IN MM [IN] TOLERANCES ARE: DECIMALS ANGLES .X ± 3.0 [.12] ±1° .XX ±	CAD GENERATED DRAWING DO NOT MANUALLY UPDATE	QSC, LLC 1675 MACARTHUR BOULEVARD COSTA MESA, CA 92626 USA	
	APPROVALS		
MATERIAL -	DRAWN BY S. STASIAK	VIDEO, NV-32-H (CORE CAPABLE), NETWORK VIDEO ENDPOINT HALF RACK MOUNT	
FINISH -	MECH ENGINEER T. GOSSARD		
DO NOT SCALE DRAWING	TECH DIRECTOR L. MERCUS		
PROJECTION SYMBOL	MFG ENGINEER R. DELAGARZA		
SIZE B	CAGE CODE 00PW4	DWG. NO. FG-901482-2D-C	REV A
SCALE: 1:4		CAD FILE: FG-901482-2D-C.A.1	SHEET: 1 OF 1